

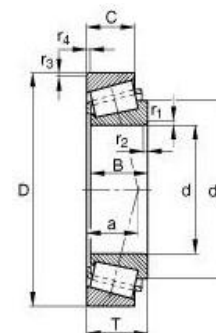
Tapered roller bearings——metric series



Dalian Goldbull Bearing Co.,Ltd

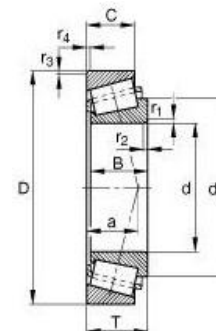
www.gb-bearing.com

Tapered roller bearings—single row



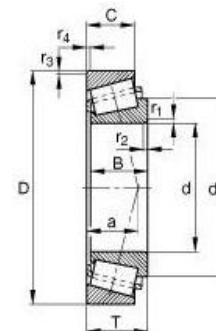
Bearing Designations		Principal Dimensions(mm)							Basic load rating (KN)		Speed rating (rpm)		Calculation Coefficient				Weight (kg)
Old spec	Designations	d	D	T	B	C	R	r	Dynamic (Cr)	Static (Cor)	Grease	Oil	e	Y	Y ₀	α	
7202	30202	15	35	11.75	11	10	0.6	0.6	14.8	13.2	11000	15000	0.32	1.9	1	8.2	0.053
7302	30302	15	42	14.25	13	11	1	1	22.4	20	9000	13000	0.28	2.1	1.1	9	0.095
7203	30203	17	40	13.25	12	11	1	1	19	18.6	9000	13000	0.35	1.7	0.9	10	0.075
7503	32203	17	40	17.25	16	14	1	1	27.1	28	9500	13000	0.31	1.9	1.1	11.2	0.103
7303	30303	17	47	15.25	14	12	1	1	28.1	25	8500	12000	0.28	2.1	1.1	10	0.130
	30303 D	17	47	15.25	14	10.5	1	1	22	20.3	8000	11000	0.81	0.74	0.41	15.4	0.129
7603	32303	17	47	20.25	19	16	1	1	34.7	33.5	8000	11000	0.28	2.1	1.1	12	0.170
2007104	32004 X	20	42	15	15	12	0.6	0.6	24.2	27	8500	12000	0.37	1.6	0.9	10	0.097
7204	30204	20	47	15.25	14	12	1	1	26.8	26.9	8000	11000	0.35	1.7	0.96	11	0.121
7504	32204	20	47	19.25	18	15	1	1	27.5	28	7500	10000	0.33	1.8	1	12	0.158
7304	30304	20	52	16.25	15	13	1.5	1.5	32.5	31	8000	11000	0.3	2	1.1	11	0.167
	30304 D	20	52	16.25	15	12	1.5	1.5	25.3	24.5	7100	10000	0.81	0.74	0.41	16.7	0.168
7604	32304	20	52	22.25	21	18	1.5	1.5	42	43	7500	10000	0.3	2	1.1	13	0.238
20071/22	320/22 X	22	44	15	15	11.5	0.6	0.6	25.6	29.4	8500	11000	0.4	1.5	0.83	11.1	0.103
72/22	302/22	22	50	15.25	14	12	1	1	29.2	30.5	7500	10000	0.37	1.6	0.9	11.6	0.139
75/22	322/22	22	50	19.25	18	15	1	1	36.5	40.5	7500	11000	0.37	1.6	0.89	13.5	0.180
73/22	303/22	22	56	17.25	16	14	1.5	1.5	37	36.5	7100	9500	0.32	1.9	1	12.4	0.208
	303/22 C	22	56	17.25	16	13	1.5	1.5	34.5	34	6700	9500	0.59	1	0.56	15.9	0.207
2007105	32005 X	25	47	15	15	11.5	0.6	0.6	27	32.5	8000	11000	0.43	1.4	0.8	11	0.110

Tapered roller bearings—single row



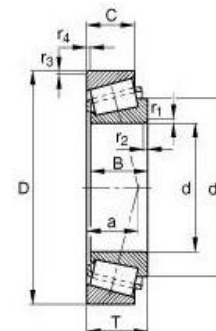
Bearing Designations		Principal Dimensions(mm)							Basic load rating (KN)		Speed rating (rpm)		Calculation Coefficient				Weight (kg)
Old spec	Designations	d	D	T	B	C	R	r	Dynamic (Cr)	Static (Cor)	Grease	Oil	e	Y	Y ₀	α	
3007105	33005	25	47	17	17	14	0.6	0.6	32.5	42.5	7500	9500	0.29	2.1	1.14	11	0.129
7205	30205	25	52	16.25	15	13	1	1	32	34	7500	9500	0.37	1.6	0.88	12	0.160
7505	32205	25	52	19.25	18	16	1	1	40.5	46	7000	9500	0.36	1.7	0.92	13	0.199
3007205	33205	25	52	22	22	18	1	1	51.5	56	7500	9500	0.35	1.7	0.94	14	0.216
7305	30305	25	62	18.25	17	15	1.5	1.5	48	47	9000	13000	0.3	2	1.1	12	0.250
27305	31305	25	62	18.25	17	13	1.5	1.5	45	48	7500	9500	0.83	0.72	0.4	20	0.260
7605	32305	25	62	25.25	24	20	1.5	1.5	63	66	6000	7100	0.3	2	1.1	15	0.422
20071/28	320/28	28	52	16	16	12	1	1	31.9	38	7000	9500	0.43	1.4	0.77	12	0.145
72/28	302/28	28	58	17.25	16	14	1	1	39.5	41.5	6300	9000	0.35	1.7	0.93	13.2	0.203
73/28	302/28 C	28	58	17.25	16	12	1	1	34	38.5	6300	8500	0.64	0.94	0.52	16.9	0.198
75/28	322/28	28	58	20.25	19	16	1	1	41.8	50	6300	8500	0.57	1.05	0.6	17	0.250
73/28	303/28	28	68	19.75	18	15	1.5	1.5	55	55.5	600	8000	0.31	1.9	1.1	14.5	0.341
	303/28 C	28	68	19.75	18	14	1.5	1.5	49.5	50.5	5600	7500	0.52	1.2	0.64	17.4	0.335
2007906	32906	30	47	12	12	9	0.3	0.3	17.6	24.4	7500	10000	0.32	1.9	1	9.2	0.074
2007106	32006 X	30	55	17	17	13	1	1	36	47	6700	9000	0.43	1.4	0.8	13	0.171
3007106	33006	30	55	20	20	16	1	1	42	54	6700	9000	0.29	2.1	1.1	13.1	0.208
7206	30206	30	62	17.25	16	14	1	1	41	44	6300	8500	0.37	1.6	0.88	14	0.230
	30206 C	30	62	17.25	16	12	1	1	35.5	37	5600	7500	0.68	0.88	0.49	17.8	0.221
7506	32206	30	62	21.25	20	17	1	1	55	65	6300	8500	0.37	1.6	0.88	15	0.356
3007206	33206	30	62	25	25	19.5	1	1	70.5	75	5600	7500	0.34	1.8	0.97	16	0.343
7306	30306	30	72	20.75	19	16	1.5	1.5	61.5	63	5600	7500	0.31	1.9	1.05	15	0.390

Tapered roller bearings—single row



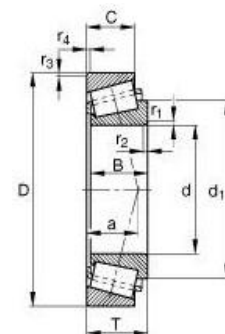
Bearing Designations		Principal Dimensions(mm)							Basic load rating (KN)		Speed rating (rpm)		Calculation Coefficient				Weight (kg)
Old spec	Designations	d	D	T	B	C	R	r	Dynamic (Cr)	Static (Cor)	Grease	Oil	e	Y	Y ₀	α	
27306	31306	30	72	20.75	19	14	1.5	1.5	51	56	5000	6700	0.83	0.72	0.4	22	0.390
7606	32306	30	72	28.75	27	23	1.5	1.5	77	84	5300	7000	0.31	1.9	1.05	18	0.554
20071/32	320/32 X	32	58	17	17	13	1	1	36.9	46.5	6300	8500	0.46	1.3	0.7	14	0.190
30071/32	330/32	32	58	21	20	16	1	1	41	50	6300	8500	0.31	1.9	1.1	13.8	0.225
72/32	302/32	32	65	18.25	17	15	1	1	48.5	54	5600	8000	0.37	1.6	0.88	14.7	0.277
	302/32 C	32	65	18.25	17	14	1	1	48.5	54	5600	8000	0.55	1.1	0.6	16.9	0.273
75/32	322/32	32	65	22.25	21	18	1	1	56	65	6000	8000	0.37	1.6	0.88	15.9	0.336
	322/32 C	32	65	22.25	21	17	1	1	49.5	60	5600	7500	0.59	1	0.56	20.2	0.335
30072/32	332/32	32	65	26	26	20.5	1	1	70	86.5	5600	8000	0.35	1.7	0.95	17	0.400
73/32	303/32	32	75	21.75	20	17	1.5	1.5	56	96	5300	7100	0.33	1.8	1	15.9	0.435
2007907	32907	35	55	14	14	11.5	0.6	0.6	27.4	39	6300	8500	0.29	2.1	1.1	10.7	0.123
2007107	32007	35	62	18	18	14	1	1	42	52	6000	8000	0.45	1.3	0.73	15	0.220
3007107	33007	35	62	21	21	17	1	1	49	65	5600	8000	0.31	2	1.1	14.1	0.267
	30607	35	65	18	18	14	3.5	1.2	35	41	5000	7000	0.38	1.6	0.88	14	0.251
7207	30207	35	72	18.25	17	15	1.5	1.5	50.5	55	5300	7000	0.37	1.6	0.88	15	0.318
7506	32207	35	72	24.25	23	19	1.5	1.5	66	80	5300	7000	0.37	1.6	0.88	17	0.452
3007207	33207	35	72	28	28	22	1.5	1.5	87.5	106	4800	6300	0.35	1.7	0.93	18	0.519
7307	30307	35	80	22.75	21	18	2	1.5	68.5	65	5000	6700	0.31	1.9	1.05	16	0.515
27307	31307	35	80	22.75	21	15	2	1.5	68	76	4500	6000	0.83	0.72	0.4	25	0.515
7607	32307	35	80	32.75	31	25	2	1.5	90.5	94	4800	6300	0.31	1.9	1.05	20	0.755

Tapered roller bearings—single row



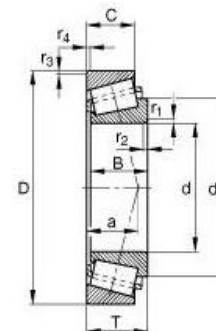
Bearing Designations		Principal Dimensions(mm)							Basic load rating (KN)		Speed rating (rpm)		Calculation Coefficient				Weight (kg)
Old spec	Designations	d	D	T	B	C	R	r	Dynamic (Cr)	Static (Cor)	Grease	Oil	e	Y	Y ₀	α	
	323/36X4YB2	36.512	90	35.25	33	27	2	1.5	114	148	4800	6300	0.55	1.1	0.6	28	1.180
	306/37	37	92	35.3	34	26	1.5	0.5	121	138	4600	5800	0.55	1.1	0.6	27	1.190
	306/39X4	39.7	90	25.4	22	21	0.8	0.8	78.5	94.5	4500	5700	0.4	1.49	0.82	23	0.769
2007908	32908	40	62	15	15	12	0.6	0.6	34	47	5600	7500	0.29	2.1	1.1	11.5	0.161
2007108	32008	40	68	19	19	14.5	1	1	58.5	79.5	5300	7000	0.38	1.6	0.87	15	0.297
3007108	33008	40	68	22	22	18	1	1	59	81.5	5300	7100	0.28	2.1	1.2	14.6	0.322
3007708	33108	40	75	26	26	20.5	1.5	1.5	81	104	5000	6700	0.35	1.7	0.9	18	0.499
7208	30208	40	80	19.75	18	16	1.5	1.5	66	73	4800	6300	0.37	1.6	0.88	16	0.430
7508	32208	40	80	24.75	23	19	1.5	1.5	79	93	4800	6300	0.37	1.6	0.88	19	0.561
3007208	33208	40	80	32	32	25	1.5	1.5	113	126	4300	5600	0.36	1.7	0.92	21	0.701
	T2EE 040	40	85	33	33	27	2	1.5	121	150	4500	6000	0.54	1.1	0.6	27	0.900
7308	30308	40	90	25.25	23	20	2	1.5	95.5	102	4500	6000	0.35	1.7	0.96	19	0.734
27308	31308	40	90	25.25	23	17	2	1.5	71.5	77	4000	5300	0.83	0.7	0.4	29	0.731
7608	32308	40	90	35.25	33	27	2	1.5	114	148	4000	5300	0.35	1.7	0.96	22	1.080
	306/42	42	76	24	27.5	19.8	2	0.6	77.5	104	5000	6300	0.28	2.16	1.19	16	0.479
	76/42	42	100	38.25	36	30	2	1.5	153	174	3600	4800	0.35	1.7	0.96	25	1.550
2007909	32909	45	68	15	15	12	0.6	0.6	34.5	50.5	5000	6700	0.32	1.9	1	12.3	0.187
2007109	32009	45	75	20	20	15.5	1	1	57.5	80	4800	6300	0.39	1.5	0.84	17	0.343

Tapered roller bearings—single row



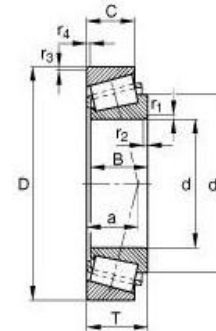
Bearing Designations		Principal Dimensions(mm)							Basic load rating (KN)		Speed rating (rpm)		Calculation Coefficient				Weight (kg)
Old spec	Designations	d	D	T	B	C	R	r	Dynamic (Cr)	Static (Cor)	Grease	Oil	e	Y	Y ₀	α	
3007709	33109	45	80	26	26	20.5	1.5	1.5	87	118	4500	6000	0.37	1.6	0.9	19	0.538
7209	30209	45	85	20.75	19	16	1.5	1.5	70.5	83	4500	6000	0.4	1.5	0.81	18	0.464
7509	32209	45	85	24.75	23	19	1.5	1.5	84.5	105	4500	6000	0.4	1.5	0.81	20	0.576
	32209X2A	45	85	24.75	23.5	20	1.5	1.5	59.5	72	4500	6000	0.4	1.5	0.83	19	0.621
3007209	33209	45	85	32	32	25	1.5	1.5	115	150	4000	5300	0.39	1.6	0.86	22	0.789
	T7FC 045	45	95	29	26.5	20	2.5	2.5	89.7	112	3600	4800	0.88	0.68	0.4	32	0.920
	T2ED 045	45	95	36	35	30	2.5	2.5	147	186	4000	5300	0.33	1.8	1	23	1.200
7309	30309	45	100	27.25	25	22	2	1.5	103	107	4000	5300	0.35	1.7	0.96	21	0.987
27309	31309	45	100	27.25	25	18	2	1.5	86	93	3600	4800	0.83	0.7	0.4	32	0.977
	31309X2	45	100	32	29	20.5	2	1.5	148	163	3400	4500	0.81	0.7	0.41	33	1.160
7609	32309	45	100	38.25	36	20	2	1.5	153	174	3600	4800	0.35	1.7	0.96	25	1.440
	32309X2A	45	100	31.8	29	20.5	2	1.5	98	108	3600	4800	0.72	0.8	0.46	30	1.140
	306/47	47	100	43	43	37	1.8	1.8	151	190	3400	4500	0.31	1.9	1.07	27	1.660
2007910	32910	50	72	15	15	12	0.6	0.6	36	54	4500	6300	0.34	1.8	0.97	13.5	0.193
2007110	32010	50	80	20	20	15.5	1	1	60	86.5	4500	6000	0.42	1.4	0.78	18	0.381
3007110	33010	50	80	24	24	19	1	1	77	111	4500	6000	0.32	1.9	1.04	17	0.442
30610	K-JLM 104948/K-JLM 104910	50	82	21.5	21.5	17	3	0.5	68.5	73	3200	4300	0.31	2	1.08	16	0.331
3007710	33110	50	85	26	26	20	1.5	1.5	85.5	122	4300	5600	0.40	1.5	0.8	20	0.590
7210	30210	50	90	21.75	20	17	1.5	1.5	72.5	74	4300	5600	0.42	1.4	0.79	20	0.550
7510	32210	50	90	24.75	23	19	1.5	1.5	88	110	4000	5600	0.42	1.4	0.79	21	0.654
	32210A	50	90	25	23	19	1.3	1.3	62	77	4300	5600	0.42	1.4	0.78	21	0.612

Tapered roller bearings—single row



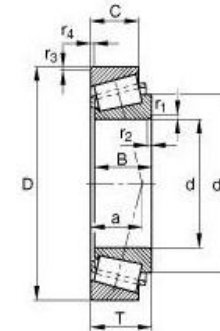
Bearing Designations		Principal Dimensions(mm)							Basic load rating (KN)		Speed rating (rpm)		Calculation Coefficient				Weight (kg)
Old spec	Designations	d	D	T	B	C	R	r	Dynamic (Cr)	Static (Cor)	Grease	Oil	e	Y	Y ₀	α	
	K-JM 205149/K-JM 205110	50	90	28	28	23	3	2.5	106	140	4000	5300	0.33	1.8	1	20	0.750
	3007210 33210	50	90	32	32	24.5	1.5	1.5	119	160	3800	5000	0.41	1.5	0.8	23	0.900
	T2ED 050	50	100	36	35	30	2.5	2.5	134	196	3700	4900	0.34	1.8	0.96	25	1.310
	T7FC 050	50	105	32	29	22	3	3	108	137	3200	4300	0.88	0.68	0.4	36	1.20
	7310 30310	50	110	29.25	27	23	2.5	2.5	132	150	3600	4800	0.35	1.7	0.96	23	1.260
	27310 31310	50	110	29.25	27	19	2.5	2	110	124	3200	4300	0.83	0.7	0.4	35	1.250
	7610 32310	50	110	42.25	40	33	2.5	2	173	214	3600	4800	0.35	1.7	0.96	27	1.800
	339/50.8	50.8	100	35	35	27	1.5	1.5	141	193	3200	4300	0.4	1.5	0.83	25	1.267
	306/50.8	50.8	100	35	35	29	2	2	131	171	3200	4300	0.3	2	1.1	23	1.270
	2007911 32911	55	80	17	17	14	1	1	45.5	74.5	4300	5600	0.31	1.9	1.1	14.6	0.282
	K-JLM 506849/K-JLM 506810	55	90	23	23	18.5	1.5	0.5	78.1	112	4000	5300	0.31	1.9	2.1	20	0.560
	2007111 32011	55	90	23	23	17.5	1.5	1.5	77	111	4000	5300	0.41	1.5	0.81	20	0.564
	3007111 33011	50	90	27	27	21	1.5	1.5	101	147	4000	5300	0.31	1.92	1.06	19	0.670
	3007711 33111	50	95	30	30	23	1.5	1.5	100	163	3800	5000	0.37	1.6	0.88	22	0.881
	7211 30211	50	100	22.75	21	18	2	1.5	93	110	3800	5000	0.4	1.5	0.81	21	0.713
	7511 32211	50	100	26.75	26	21	2	1.5	108	133	3800	5000	0.4	1.5	0.81	22	0.878
	3007211 33211	55	100	35	35	27	2	1.5	143	196	3400	4500	0.4	1.5	0.8	25	1.170
	T2ED 055	55	110	39	39	32	2.5	2.5	179	232	3400	4500	0.35	1.7	0.9	27	1.700
	T7FC 055	55	115	34	31	23.5	3	3	125	163	3000	4000	0.88	0.68	0.4	39	1.600
	7311 30311	55	120	31.5	29	25	2.5	2	153	178	3200	4300	0.35	1.7	0.96	25	1.650
	27311 31311	55	120	31.5	29	21	2.5	2	155	166	2800	3800	0.83	0.7	0.4	38	1.780

Tapered roller bearings—single row



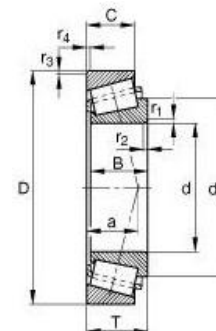
Bearing Designations		Principal Dimensions(mm)							Basic load rating (KN)		Speed rating (rpm)		Calculation Coefficient				Weight (kg)
Old spec	Designations	d	D	T	B	C	R	r	Dynamic (Cr)	Static (Cor)	Grease	Oil	e	Y	Y ₀	α	
7611	32311	55	120	45.5	43	35	2.5	2	218	280	3000	4000	0.35	1.7	0.9	29	2.430
	30611B	55	125	37	36	25	3	2	148	172	2800	3800	0.73	0.8	0.45	38	2.100
2007912	32912	60	85	17	17	14	1	1	49	84.5	3800	5300	0.33	1.8	1	15.5	0.306
	32912X2A	60	85	17	16	14	1	1	42.5	67.5	3900	5100	0.38	1.6	0.87	17	0.277
2007112	32012	60	95	23	23	17.5	1.5	1.5	78.5	112	3800	5000	0.4	1.4	0.77	21	0.597
K-JLM 508748/K-JLM 508710		60	95	24	24	19	3	2.5	84.2	132	3600	4800	0.4	1.5	0.8	21	0.620
3007112	33012	80	95	27	27	21	1.5	1.5	100	158	2800	5000	0.33	1.8	1	20	0.691
3007712	33112	50	100	30	30	23	1.5	1.5	116	171	3600	4800	0.4	1.5	0.83	23	0.895
7212	30212	60	110	23.75	22	19	2	1.5	104	124	3400	4500	0.4	1.5	0.81	23	0.923
7512	32212	60	110	29.75	28	24	2	1.5	133	170	3400	4500	0.4	1.5	0.81	25	1.260
3007212	33212	60	110	38	38	29	2	1.5	168	236	3000	4000	0.4	1.5	0.8	27	1.600
	T5ED 060	60	115	39	38	31	2.5	2.5	168	250	3000	4000	0.54	1.1	0.6	33	1.850
33212X3	T2EE 060	60	115	40	39	33	4	2.5	194	260	3200	4300	0.33	1.8	1	28	1.850
	T7FC 060	60	125	37	33.5	26	3	3	154	204	2600	3600	0.83	0.72	0.4	41	2.050
7312	30312	60	130	33.5	31	26	3	2.5	163	185	3000	4000	0.35	1.7	0.96	26	1.960
27312	31312	60	130	33.5	31	22	3	2.5	138	155	2600	3600	0.83	0.7	0.4	41	1.920
7612	32312	60	130	48.5	46	37	3	2.5	229	289	2600	3600	0.35	1.7	0.96	31	2.900
	31312X3	60	140	42	41	28	3	2.5	187	225	2600	3600	0.73	0.8	0.45	42	3.420
2007913	32913	65	90	17	17	14	1	1	49	86.5	3600	5000	0.35	1.7	0.93	16.8	0.323
2007113	32013	65	100	23	23	17.5	1.5	1.5	82.5	128	3400	4500	0.46	1.3	0.7	22	0.612
	32013X2	65	100	23.3	22	19	1.5	1.5	81	116	3400	4500	0.35	1.7	0.94	20	0.629

Tapered roller bearings—single row



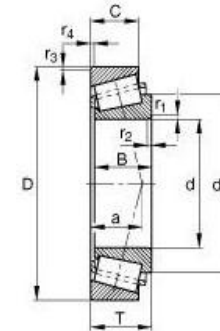
Bearing Designations		Principal Dimensions(mm)							Basic load rating (KN)		Speed rating (rpm)		Calculation Coefficient				Weight (kg)
Old spec	Designations	d	D	T	B	C	R	r	Dynamic (Cr)	Static (Cor)	Grease	Oil	e	Y	Y ₀	α	
3007113	33013	65	100	27	27	21	1.5	1.5	108	158	3400	4500	0.3	1.7	0.95	21	0.732
K-JM 511946/K-JM 511910		65	110	28	28	22.5	3	2.5	123	183	3200	4300	0.4	1.5	0.8	24	1.050
7813		65	110	30.25	30	24	3	1.8	109	155	3200	4300	0.4	1.5	0.82	25	1.100
3007713	33113	65	110	34	34	26.5	1.5	1.5	157	220	3200	4300	0.39	1.6	0.85	26	1.300
7213	30213	65	120	24.75	23	20	2	1.5	122	147	3000	4000	0.4	1.5	0.81	24	1.140
7513	32213	65	120	32.75	31	27	2	1.5	155	192	3000	4000	0.4	1.5	0.81	28	1.580
	T5ED 065	65	120	39	38	31	4	2.5	161	240	3000	4000	0.57	1.05	0.6	35	1.950
K-JH 211749/K-JH 211710		65	120	39	38.5	32	3	2.5	187	265	3000	4000	0.33	1.8	1	27	1.900
3007213	33213	65	120	41	41	32	2	1.5	183	280	2800	3800	0.39	1.5	0.85	30	2.020
	T7FC 065	65	130	37	33.5	26	3	3	157	216	2400	3400	0.88	0.68	0.4	44	2.200
	30613	65	130	45	43	35	7	2	223	298	2800	3800	0.33	1.8	0.99	30	2.640
27313	31313	65	140	36	33	23	3	2.5	171	198	2800	3800	0.83	0.7	0.4	44	2.460
7313	30313	65	140	36	33	28	3	2.5	188	216	2600	3600	0.35	1.7	0.96	28	2.490
27713E		65	140	40	39	26	3.5	2	220	240	2600	3600	0.73	0.8	0.45	42	2.770
7613	32313	65	140	51	48	39	3	2.5	253	350	2400	3400	0.35	1.7	0.96	33	3.680
	T5GD 065	65	140	51	48	39	3	2.5	253	350	2400	3400	0.55	1.1	0.6	41	4.360
	30613-1	65	150	53.5	54	44.5	2.3	2.3	296	390	2400	3400	0.36	1.7	0.9	37	4.430
2007914	32914	70	100	20	20	16	1	1	70.5	114	3000	4000	0.32	1.9	1.05	18	0.475
	32914X2A	70	100	20	19	16	1	1	60.5	97	3000	4000	0.36	1.7	0.92	19	0.477
2007114	32014	70	110	25	25	19	1.5	1.5	106	163	3000	4000	0.43	1.4	0.76	26	0.972
K-JLM 813049/K-JLM 813010		70	110	26	25	20.5	1.5	1.5	101	160	3200	4300	0.48	1.25	0.7	26	0.910
3007114	33014	70	110	31	31	25.5	1.5	1.5	130	196	3200	4300	0.28	2.1	1.1	23	1.100

Tapered roller bearings—single row



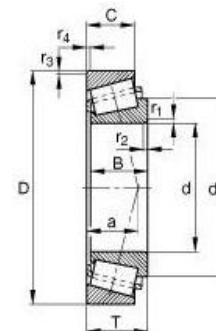
Bearing Designations		Principal Dimensions(mm)							Basic load rating (KN)		Speed rating (rpm)		Calculation Coefficient				Weight (kg)
Old spec	Designations	d	D	T	B	C	R	r	Dynamic (Cr)	Static (Cor)	Grease	Oil	e	Y	Y ₀	α	
3007714	33114	70	120	37	37	29	2	1.5	164	258	3000	4000	0.38	1.6	0.87	28	1.720
	30614	70	120	45	42	37	2.5	2.5	138	198	3000	4000	0.39	1.5	0.84	32	1.890
7214	30214	70	125	26.25	24	21	2	1.5	119	142	2000	3000	0.42	1.4	0.79	26	1.290
7514	32214	70	125	33.25	31	27	2	1.5	170	227	3000	4000	0.42	1.4	0.79	29	1.660
3007214	33214	70	125	41	41	32	2	1.5	201	285	2600	3600	0.40	1.5	0.8	30	2.100
	T2ED 070	70	130	43	42	35	3	2.5	233	325	2800	3800	0.33	1.8	1	30	2.450
	T7FC 070	70	140	39	35.5	27	3	3	176	240	2200	3200	0.88	0.68	0.4	47	2.650
	T4FE 070	70	140	52	51	43	5	3	281	405	2400	3400	0.44	1.35	0.8	39	3.700
27314	31314	70	150	38	35	25	3	2.5	192	226	3000	4000	0.83	0.7	0.4	47	2.870
7314	30314	70	150	38	35	30	3	2.5	223	262	2400	3400	0.35	1.7	0.96	30	3.080
7614	32314	70	150	54	51	42	3	2.5	305	390	2400	3400	0.35	1.7	0.96	36	4.380
	30614-1	70	165	57	57	40	6	3	315	410	2200	3200	0.7	0.86	0.47	52	6.090
2007915	32915	75	105	20	20	16	1	1	70.4	116	3200	4300	0.33	1.8	1	19	0.520
7215	32015	75	115	25	25	19	1.5	1.5	104	160	3000	4000	0.46	1.3	0.72	25	0.922
3007115	33015	75	115	31	31	25.5	1.5	1.5	130	213	3000	4000	0.30	2	1.1	23	1.100
	K-JM 714249/K-JM 714210	75	120	31	29.5	25	3	2.5	138	216	2800	3800	0.44	1.35	0.8	28	1.300
3007715	33115	75	125	37	37	29	2	1.5	174	275	2800	3800	0.4	1.5	0.83	29	1.800
7215	30215	75	130	27.25	25	22	2	1.5	139	175	2800	3800	0.44	1.4	0.76	28	1.400
7515	32215	75	130	33.25	31	27	2	1.5	173	231	2600	3600	0.44	1.4	0.76	30	1.760
3007215	33215	75	130	41	41	31	2	1.5	199	282	2600	3600	0.43	1.4	0.77	32	2.270
	33215X2A	75	135	44.5	45	35	2.3	2.3	193	277	2600	3600	0.4	1.5	0.82	33	2.580
	30615	75	135	44.5	45	36.5	2.5	2.5	232	340	2600	3600	0.28	2.2	1.19	29	2.790

Tapered roller bearings—single row



Bearing Designations		Principal Dimensions(mm)							Basic load rating (KN)		Speed rating (rpm)		Calculation Coefficient				Weight (kg)
Old spec	Designations	d	D	T	B	C	R	r	Dynamic (Cr)	Static (Cor)	Grease	Oil	e	Y	Y ₀	α	
K-JH 415647/K-JH 415610		75	145	51	51	42	3	2.5	308	450	2400	3400	0.37	1.6	0.9	36	3.900
27315	31315X3	75	150	30.5	29	20	3	2.5	165	202	2200	3200	0.35	1.7	0.96	32	3.710
	T7FC 075	75	150	42	38	29	3	3	201	280	2000	3000	0.88	0.68	0.4	50	3.250
7315	30315	75	160	40	37	31	3	2.5	259	285	2200	3200	0.35	1.7	0.96	32	3.710
27315	31315	75	160	40	37	26	3	2.5	229	276	2200	3200	0.83	0.7	0.4	50	3.400
7615	32315	75	160	58	55	45	3	2.5	345	455	2000	3000	0.35	1.7	0.96	38	5.350
	32315X3	75	180	63.65	60	45	3	2.5	375	490	2000	3000	0.7	0.86	0.47	57	7.900
	32916X2A	80	110	20	19	16	1	1	63	105	2700	3700	0.32	1.83	1	20	0.500
2007916	32916	80	110	20	20	16	1	1	71	119	2700	3700	0.35	1.7	0.96	38	0.548
2007116	32016	80	125	29	29	22	1.5	1.5	139	219	2600	3600	0.42	1.4	0.78	27	1.260
3007116	33016	80	125	36	36	29.5	1.5	1.5	172	281	2600	3600	0.28	2.1	1.1	26	1.620
	33116X2A	80	130	32	31	25	3.5	2	151	218	2400	3400	0.38	1.6	0.88	27	1.600
3007716	33116	80	130	37	37	29	2	1.5	179	280	2600	3600	0.42	1.4	0.79	31	2.790
7216	30216	80	140	28.25	26	22	2.5	2	146	178	2400	3400	0.42	1.4	0.79	29	1.560
7516E	32216	80	140	35.25	33	28	2.5	2	195	291	2400	3400	0.42	1.43	0.79	32	2.190
3007216	33216	80	140	46	46	35	2.5	2	264	390	2200	3200	0.43	1.4	0.78	35	2.890
	T2ED 080	80	145	46	45	38	3	2.5	281	400	2400	3400	0.31	1.9	1.1	32	3.250
27316	31316	80	170	42.5	39	27	3	2.5	223	260	2200	3200	0.83	0.7	0.4	53	3.650
7316	30316	80	170	42.5	39	33	3	2.5	273	320	2000	3000	0.35	1.7	0.96	34	4.320
7616	32316	80	170	61.5	58	48	3	2.5	390	510	1900	2800	0.35	1.7	0.96	41	6.430
	32316X3	80	180	63.65	60	45	3	2.5	370	550	1800	2800	0.76	0.86	0.47	57	7.910

Tapered roller bearings—single row



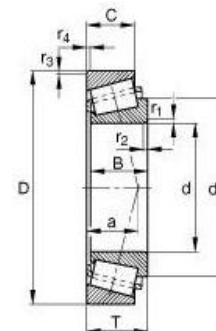
Bearing Designations		Principal Dimensions(mm)							Basic load rating (KN)		Speed rating (rpm)		Calculation Coefficient				Weight (kg)
Old spec	Designations	d	D	T	B	C	R	r	Dynamic (Cr)	Static (Cor)	Grease	Oil	e	Y	Y ₀	α	
2007917	32917	85	120	23	23	18	1.5	1.5	100	172	2700	3000	0.33	1.83	1.01	21	
2007117	32017	85	130	29	29	22	1.5	1.5	138	220	2400	3400	0.44	1.4	0.75	28	1.33
K-JM 716649/K-JM 716610		85	130	30	29	24	3	2.5	140	228	2600	3600	0.44	1.35	0.8	30	1.40
3007117	33017	85	130	36	36	29.5	1.5	1.5	195	230	2600	3600	0.3	2	1.1	26	1.70
3007717	33117	85	140	41	41	32	2.5	2	215	350	2400	3400	0.41	1.5	0.81	33	2.43
7217E	30217	85	130	30.5	28	24	2.5	2	178	254	2200	3200	0.42	1.43	0.79	31	2.05
7517E	32217	85	150	38.5	36	30	2.5	2	226	344	2200	3200	0.42	1.43	0.79	34	2.70
3007217	33217	85	150	49	49	37	2.5	2	286	430	2000	3000	0.42	1.4	0.79	37	3.64
7317	30317	85	180	44.5	41	34	4	3	310	375	2000	2800	0.35	1.7	0.96	35.7	5.08
27317	31317	85	180	44.5	41	28	4	3	254	300	2000	3000	0.83	0.7	0.4	56	4.92
7317	30317	85	180	44.5	41	34	4	3	299	355	1900	2800	0.35	1.7	0.96	35	5.39
7317	32317	85	180	63.5	60	49	4	3	425	560	1800	2600	0.35	1.7	0.96	42	7.37
2007918	32918	90	125	23	23	18	1.5	1.5	97	167	2600	3600	0.34	1.8	0.96	22	0.838
2007118	32018	90	140	32	32	24	2	1.5	165	255	2200	3200	0.42	1.4	0.78	30	1.77
	32018X2A	90	140	32.4	30	26	2	1.5	150	227	2200	3200	0.34	1.76	0.97	23	1.74
3007118	33018	90	140	39	39	32.5	2	1.5	226	370	2200	3200	0.27	2.2	1.3	27	2.24
K-JM 718149/K-JM 718110		90	145	35	34	27	6	2.5	201	305	2200	3200	0.44	1.35	0.8	33	2.15
3007718	33118	90	150	45	45	35	2.5	2	242	390	2000	3000	0.4	1.5	0.83	35	3.22
	T2ED 090	90	155	46	46	38	3	3	286	430	2000	3000	0.33	1.8	1	34	3.50
7218E	30218	90	160	32.5	30	26	2.5	2	222	291	2000	3000	0.42	1.43	0.79	33	2.73
7518E	32218	90	160	42.5	40	34	2.5	2	267	417	2000	3000	0.42	1.43	0.79	37	3.61
	33218X2A	90	160	50	46	39	3	3	235	320	2000	3000	0.34	1.8	0.97	35	3.82

Tapered roller bearings—single row



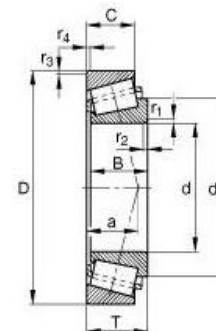
Bearing Designations		Principal Dimensions(mm)							Basic load rating (KN)		Speed rating (rpm)		Calculation Coefficient				Weight (kg)	
Old spec	Designations	d	D	T	B	C	R	r	Dynamic (Cr)	Static (Cor)	Grease	Oil	e	Y	Y ₀	α		
	3007218	33218	90	160	55	55	42	2.5	2	330	495	2000	3000	0.29	2.1	1.13	33	4.77
		30618	90	170	62	59.5	49	2.5	2.5	360	520	2000	3000	0.36	1.7	0.92	42	6.04
		T7FC 090	90	175	48	45	33	4	4	270	380	1700	2400	0.83	0.72	0.4	57	4.95
	27318	31318	90	190	46.5	43	30	4	3	283	340	2000	3000	0.83	0.7	0.4	59	5.53
	7318E	30318	90	190	46.5	43	36	4	3	341	467	1800	2600	0.35	1.74	0.96	37	5.76
	7618	32318	90	190	67.5	64	53	4	3	485	650	1700	2400	0.35	1.7	0.96	45	8.97
	2007919	32919	95	130	23	23	18	1.5	1.5	98	172	2400	3400	0.36	1.7	0.92	23.2	0.88
		32919X2A	95	130	23	22	18	1.5	1.5	79.5	135	2300	3300	0.38	1.59	0.87	25	0.786
	2007119	32019	95	145	32	32	24	2	1.5	182	292	2200	3200	0.44	1.35	0.8	31	1.87
		32019X2A	95	145	32.4	30	26	2	1.5	161	248	2200	3200	0.36	1.7	0.93	33	1.80
	3007119	33019	95	145	39	39	32.5	2	1.5	210	345	2200	3200	0.28	2.2	1.19	29	2.32
		T2ED 095	95	160	46	46	38	3	3	297	455	2000	3000	0.33	1.8	1	35	3.65
		30619	95	160	47	47	38	3	3	286	460	2200	3200	0.34	1.8	0.97	35	3.79
	7819E		95	160	47	47	38	3	2.5	325	435	2200	3200	0.28	2.2	1.19	28	3.73
	7219E	30219	95	170	34.5	32	27	3	2.5	228	332	1900	2800	0.42	1.73	0.79	35	3.27
	7519E	32219	95	170	45.5	43	37	3	2.5	299	471	1900	2800	0.42	1.43	0.79	40	4.34
	3007219	33219	95	170	58	58	44	3	2.5	405	560	1900	2800	0.41	1.5	0.81	43	5.54
	27319	31319	95	200	49.5	45	32	4	3	305	370	1900	2800	0.83	0.7	0.4	62	6.84
	7319E	30319	95	200	49.5	45	38	4	3	365	445	1800	2600	0.35	1.74	0.96	39	6.91
	7619	32319	95	200	71.5	67	55	4	3	520	705	1700	2400	0.35	1.7	0.96	47	10.00
	2007920	32920	100	140	25	25	20	1.5	1.5	102	167	2000	3000	0.33	1.8	1	24	1.130

Tapered roller bearings—single row



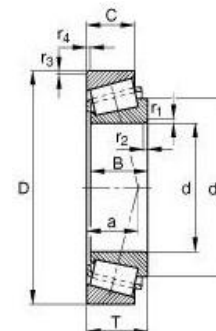
Bearing Designations		Principal Dimensions(mm)							Basic load rating (KN)		Speed rating (rpm)		Calculation Coefficient				Weight (kg)
Old spec	Designations	d	D	T	B	C	R	r	Dynamic (Cr)	Static (Cor)	Grease	Oil	e	Y	Y ₀	α	
	T4CB 100	100	145	24	22.5	17.5	3	3	125	190	2200	3200	0.48	1.25	0.7	30	1.150
2007120	32020	100	150	32	32	24	2	1.5	190	281	1600	2000	0.46	1.3	0.72	33	1.87
3007120	33020	100	145	39	39	32.5	2	1.5	253	390	2000	3000	0.29	2.1	1.15	29	2.36
K-JHM 720249/K-JHM 720210		100	160	41	40	32	3	2.5	246	390	1900	2800	0.48	1.25	0.7	38	3.05
	T2EE 100	100	165	47	46	39	3	3	314	480	1900	2800	0.31	1.9	1.1	35	3.90
3007720	33120	100	165	52	52	40	2.5	2	301	510	2200	2800	0.41	1.48	0.81	40	4.33
7220E	30220	100	180	37	34	29	3	2.5	254	374	1900	2800	0.42	1.73	0.79	37	3.56
7520E	32220	100	180	49	46	39	3	2.5	336	536	1800	2600	0.42	1.43	0.79	42	5.31
3007220	33220	100	180	63	63	48	3	2.5	430	655	1700	2400	0.40	1.5	0.8	43	6.58
7320E	30320	100	215	51.5	47	39	4	3	407	562	1700	2400	0.35	1.74	0.96	41	8.09
27320	31320X	100	215	56.5	51	35	4	3	374	465	1600	2200	0.83	0.72	0.4	65	8.60
7620	32320	100	215	77.5	73	60	4	3	610	840	1600	2200	0.35	1.7	0.96	51	13.20
2007921	32921	105	145	25	25	20	1.5	1.5	119	212	2200	3000	0.34	1.8	0.96	25.3	1.230
2007121	32021	105	160	35	35	26	2.5	2	199	320	1900	2800	0.44	1.35	0.8	34	2.380
3007121	33021	105	160	43	43	34	2.5	2	266	405	1900	2800	0.28	2.1	1.17	31	2.980
	32021X3	105	170	38	38	29	2.5	2	246	405	1700	2200	0.43	1.4	0.77	37	3.360
7221E	30221	105	190	39	36	30	3	2.5	292	405	1800	2600	0.42	1.43	0.79	39	4.47
7521E	32221	105	190	53	50	43	3	2.5	385	610	1800	2600	0.42	1.43	0.79	45	6.34
	32321X3	105	215	78	73	60	3	3	550	755	1900	2800	0.31	1.9	1.05	49	12.30
7321	30321	105	225	53.5	49	41	4	3	430	530	1600	2200	0.35	1.7	0.96	43	9.38
27321	31321X	105	225	58	53	36	4	3	402	500	1500	2000	0.83	0.72	0.4	68	9.65
7621	32321	105	225	81.5	77	63	4	3	605	815	1500	2000	0.35	1.7	0.96	54	15.00

Tapered roller bearings—single row



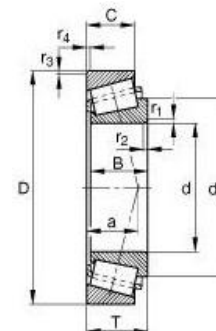
Bearing Designations		Principal Dimensions(mm)							Basic load rating (KN)		Speed rating (rpm)		Calculation Coefficient				Weight (kg)
Old spec	Designations	d	D	T	B	C	R	r	Dynamic (Cr)	Static (Cor)	Grease	Oil	e	Y	Y ₀	α	
	320/106XYA6	106	160	35	35	26	6.4	2	206	340	1900	2800	0.44	1.35	0.8	34	2.35
2007922	32922	110	150	25	25	20	1.5	1.5	125	224	2000	3000	0.35	1.7	0.9	26	1.250
	32922X2A	110	150	25.4	24	20	1.5	1.5	88	138	2000	3000	0.28	2.1	1.17	23	1.180
	T4CB 110	110	160	27	25.5	19.5	3	3	154	232	1900	2800	0.44	1.35	0.8	31	1.600
2007122	32022	110	170	38	38	29	2.5	2	231	365	1800	2600	0.43	1.4	0.77	37	3.08
	32022X2A	110	170	38.4	36	31	2.5	2	198	297	1800	2600	0.35	1.7	0.95	33	3.10
3007122	33022	110	170	47	47	37	2.5	2	281	500	1800	2600	0.28	2.1	1.1	34	3.85
K-JHM 522649/K-JHM 522610		110	180	47	46	38	3	2.5	319	520	1800	2600	0.4	1.5	0.8	41	4.65
3007722	33122	110	180	56	56	43	2.5	2.5	350	595	1800	2600	0.42	1.4	0.79	44	5.56
	7222E	110	200	41	38	32	3	2.5	313	470	1700	2400	0.42	1.43	0.79	41	5.27
	7522E	110	200	56	53	46	3	2.5	425	696	1700	2400	0.42	1.43	0.79	48	7.62
	7322	110	240	54.5	50	42	4	3	470	580	1600	2200	0.35	1.7	0.96	45	11.10
	27322	110	240	63	57	38	4	3	470	595	1600	2200	0.83	0.7	0.4	75	12.50
	7622	100	240	84.5	80	65	4	3	735	1030	1400	1900	0.35	1.7	0.96	56	18.00
	30623	115	190	49	49	35	2.5	2.5	282	440	1600	2200	0.44	1.4	0.74	42	5.13
2007924	32924	120	165	29	29	23	1.5	1.5	189	320	1600	2200	0.35	1.7	0.95	29	1.79
	T4CB 120	120	170	27	25	19.5	3	3	157	250	1800	2600	0.48	1.25	0.7	34	1.70
2007124	32024	120	180	38	38	29	2.5	2	237	395	1400	2400	0.46	1.3	0.72	40	3.31
	32024X2A	120	180	38.4	36	31	2.5	2	214	383	1700	2400	0.37	1.62	0.89	29	3.66

Tapered roller bearings—single row



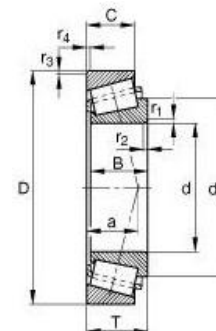
Bearing Designations		Principal Dimensions(mm)							Basic load rating (KN)		Speed rating (rpm)		Calculation Coefficient				Weight (kg)
Old spec	Designations	d	D	T	B	C	R	r	Dynamic (Cr)	Static (Cor)	Grease	Oil	e	Y	Y ₀	α	
3007124	33024	120	180	48	48	38	2.5	2	295	530	1800	2600	0.3	2	1.1	36	4.07
7224E	30224	120	215	43.5	40	34	3	2.5	337	514	1600	2200	0.44	1.38	0.76	45	6.32
7524E	32224	120	215	61.5	58	50	3	2.5	480	720	1600	2200	0.44	1.38	0.76	52	9.60
7324	30324	120	260	59.5	55	46	4	3	565	710	1500	2000	0.35	1.7	0.96	49	14.20
27324	31324	120	260	68	62	42	4	3	540	690	1500	2000	0.83	0.7	0.4	82	15.60
7624	32324	120	260	90.5	86	69	4	3	845	1190	1300	1800	0.35	1.7	0.96	60	22.40
2007926	32926	130	180	32	32	25	2	1.5	198	365	1700	2400	0.33	1.8	1	31	2.40
	32926X2A	130	180	32.5	30	26	2	1.5	150	249	1700	2400	0.27	2.2	1.22	28	2.31
	T4CB 130	130	185	29	27	21	3	3	194	315	1700	2400	0.48	1.25	0.7	37	2.25
2007126	32026	130	200	45	45	34	2.5	2	340	580	1600	2200	0.43	1.4	0.8	42	5.06
	32026X2A	130	200	45.5	42	36	2.5	2	267	467	1600	2200	0.35	1.72	0.95	39	4.66
7226E	30226	130	230	43.75	40	34	4	3	360	580	1500	2000	0.44	1.38	0.76	47	7.02
7526E	32226	130	230	67.75	64	54	4	3	541	922	1500	2000	0.44	1.38	0.76	56	11.8
7526EY		130	230	67.75	66	54	4	3	570	810	1500	2000	0.26	2.3	1.25	45	11.9
7326	30326	130	280	63.75	58	49	5	4	645	815	1300	1800	0.35	1.7	0.96	53	17.4
27326	31326	130	280	72	66	44	5	4	620	805	1300	1800	0.83	0.7	0.4	87	18.9
7626	32326	130	280	98.75	93	78	5	4	858	1180	1100	1600	0.35	1.7	0.9	66	30.5
	32326/YA6	130	280	99.5	93	78	3.7	3.7	870	1250	1100	1600	0.32	1.9	1.04	65	26.4
2007928	32928	140	190	32	32	25	2	1.5	205	390	1600	2200	0.35	1.7	0.9	33	2.550
	32928X2A	140	190	32.5	30	26	2	1.5	154	257	1600	2200	0.27	2.2	0.22	28	2.430
	T4CB 140	140	195	29	27	21	3	3	194	325	1600	2200	0.5	1.2	0.7	40	2.40

Tapered roller bearings—single row



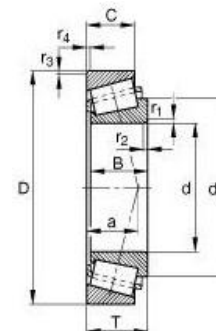
Bearing Designations		Principal Dimensions(mm)							Basic load rating (KN)		Speed rating (rpm)		Calculation Coefficient				Weight (kg)
Old spec	Designations	d	D	T	B	C	R	r	Dynamic (Cr)	Static (Cor)	Grease	Oil	e	Y	Y ₀	α	
2007128	32028	140	210	45	45	34	2.5	2	330	560	1600	2200	0.46	1.3	0.72	46	5.84
	32028X2A	140	210	45.5	42	36	2.5	2	280	509	1600	2200	0.37	1.62	0.89	42	4.94
	30628	140	230	58	57	45	3	3	400	660	1600	2200	0.44	1.4	0.74	56	8.97
7228E	30228	140	250	45.75	42	36	4	3	405	615	1400	1900	0.44	1.38	0.76	50	8.8
7528E	32228	140	250	71.75	68	58	4	3	650	1000	1400	1900	0.44	1.38	0.76	61	14.7
7328	30328	140	300	67.75	62	53	5	4	740	945	1200	1700	0.35	1.7	0.96	56	21.2
7628	32328	140	300	107.75	102	85	5	4	1090	1630	1200	1700	0.37	1.6	0.9	74	35.8
27328	31328	140	300	77	70	47	5	4	695	900	1200	1700	0.83	0.7	0.4	93	23.4
	31328X2A	140	300	90	82	60	5	4	660	915	1200	1700	0.73	0.8	0.45	91	29.0
2007930	32930	150	210	38	38	30	2.5	2	270	465	1500	2000	0.33	1.83	1	36	3.83
	32930X2A	150	210	38.5	36	31	2.5	2	220	385	1500	2000	0.27	2.2	1.21	33	4.56
	T4DB 150	150	210	32	30	23	3	3	233	390	1500	2000	0.46	1.3	0.7	41	3.05
2007130	32030	150	225	48	48	36	3	2.5	365	635	950	1400	0.46	1.3	0.72	49	6.40
	32030X2A	150	225	48.5	45	38	3	2.5	280	454	950	1400	0.39	1.5	0.85	46	6.84
3007130	33030	150	225	59	59	46	3	2.5	457	865	1500	2000	0.37	1.6	0.9	48	8.15
7230E	30230	150	270	49	45	38	4	3	454	693	1300	1800	0.44	1.38	0.76	53	11.2
7530E	32230	150	270	77	73	60	4	3	735	1140	1200	1700	0.44	1.38	0.76	64	18.4
7330	30330	150	320	72	65	55	5	4	815	1050	1100	1600	0.35	1.7	0.96	60	25.5
27330	31330	150	320	80	75	50	5	4	810	1060	950	1400	0.83	0.72	0.4	96	27.5
7630	32330	150	320	114	108	90	5	4	1280	1880	950	1400	0.35	1.7	0.96	77	42.2
2007932	32932X2A	160	220	38.5	36	31	2.5	2	232	400	1500	2000	0.27	2.2	1.23	34	3.79

Tapered roller bearings—single row



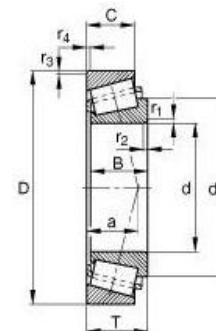
Bearing Designations		Principal Dimensions(mm)							Basic load rating (KN)		Speed rating (rpm)		Calculation Coefficient				Weight (kg)
Old spec	Designations	d	D	T	B	C	R	r	Dynamic (Cr)	Static (Cor)	Grease	Oil	e	Y	Y ₀	α	
	T4DB 160	160	220	32	30	23	3	3	242	415	1500	2000	0.48	1.25	0.7	44	3.25
2007132	32032	160	240	51	51	38	3	2.5	415	730	1100	1600	0.46	1.3	0.72	53	7.69
	32032X2A	160	240	51.5	48	41	3	2.5	381	707	1300	1800	0.37	1.6	0.89	47	7.67
	7232E 30232	160	290	52	48	40	4	3	510	758	1100	1600	0.44	1.38	0.76	57	13.4
	7532E 32232	160	290	84	80	67	4	3	925	1490	1100	1600	0.44	1.38	0.76	70	23.3
	7332 30332	160	340	75	68	58	5	4	915	1180	1000	1500	0.35	1.7	0.9	61	29.5
	27332 31332	160	340	88	79	54	3.7	3.7	825	1080	1000	1500	0.76	0.8	0.43	100	29.9
	7632 32332	160	340	121	114	95	5	4	1540	2230	1000	1500	0.35	1.7	0.96	81	51.7
	30632	160	375	86.55	79.4	50.3	5	5	870	1050	1000	1500	0.7	0.9	0.47	98	40.7
	30632X2	160	375	86.55	79.4	60.3	5	5	870	1050	1000	1500	0.7	0.86	0.47	103	41.8
2007934	32934	170	230	38	38	30	2.5	2	280	560	1400	1900	0.37	1.6	0.9	42	4.51
	32934X2A	170	230	38.5	36	31	2.5	2	244	490	1400	1900	0.28	2.12	1.17	36	3.86
	32934X3	170	220	27	25	19.5	3	3	166	328	1600	2150	0.47	1.3	0.72	53	2.33
2007134	32034	170	260	57	57	43	3	2.5	520	870	1200	1700	0.44	1.35	0.8	56	10.60
	32034X2A	170	260	57.5	54	46	3	2.5	417	816	1400	1900	0.31	1.94	1.07	47	10.10
	7234 30234	170	310	57	52	43	5	4	605	845	1000	1500	0.43	1.4	0.8	58	17.00
	7534 32234	170	310	91	86	71	5	4	1010	1630	1000	1500	0.43	1.4	0.8	75	30.00
	32234/YA6	170	360	128	120	100	3.7	3.7	1430	2120	950	1400	0.36	1.7	0.92	87	63.50
	7334 30334	170	360	80	72	62	5	4	1020	1340	950	1400	0.35	1.7	0.9	66	35.00
	7634 32334	170	360	127	120	100	5	4	1370	2050	950	1300	0.37	1.6	0.88	91.3	57.00
	T4DB 180	180	240	32	30	23	3	3	245	250	1200	1700	0.48	1.25	0.7	48	3.55

Tapered roller bearings—single row



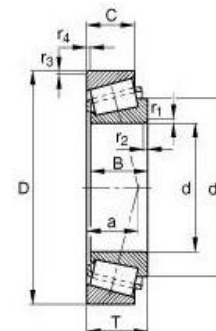
Bearing Designations		Principal Dimensions(mm)							Basic load rating (KN)		Speed rating (rpm)		Calculation Coefficient				Weight (kg)
Old spec	Designations	d	D	T	B	C	R	r	Dynamic (Cr)	Static (Cor)	Grease	Oil	e	Y	Y ₀	α	
2007936	32936	180	250	45	45	34	2.5	2	345	725	1600	2500	0.48	1.25	0.7	53	6.70
2007136	32036	180	280	64	64	48	3	2.5	610	1070	950	1400	0.42	1.4	0.8	75	13.90
	32036X2A	180	280	64.5	60	52	3	2.5	511	950	1100	1600	0.28	2.16	1.19	53	13.00
	32036X3A	180	290	65	63.5	48	2.3	2.3	580	1010	950	1400	0.44	1.4	0.75	62	15.60
7236	30236	180	320	57	52	43	5	4	590	820	1000	1500	0.45	1.3	0.73	64	17.80
7536	32236	180	320	91	86	71	5	4	1020	1670	950	1400	0.45	1.3	0.73	78	32.30
7336	30336	180	380	83	75	64	5	4	935	1230	900	1300	0.36	1.7	0.92	72.4	39.30
	30336 D	180	380	83	75	53	5	4	820	1120	850	1200	0.81	0.74	0.41	113.1	38.50
27336	31336	180	380	98	88	60	5	4	1050	1500	900	1300	0.55	0.73	0.8	120	46.40
7636	32336	180	380	134	126	106	5	4	1520	2290	950	1300	0.37	1.6	0.88	96.6	66.80
2007938	32938	190	260	45	45	34	2.5	2	335	745	1100	1600	0.48	1.25	0.7	55	6.94
	32938X2A	190	260	45.5	42	36	2.5	2	350	670	1100	1600	0.38	1.6	0.86	49	6.52
7138	32038X2A-1	190	290	51	46	40	3	2.5	390	703	950	1400	0.38	1.58	0.87	53	10.50
2007138	32038	190	290	64	64	48	3	2.5	660	1200	1000	1500	0.44	1.35	0.8	62	15.00
	32038X2A	190	290	64.5	60	52	3	2.5	520	882	1000	1500	0.37	1.6	0.89	58	15.28
7238	30238	190	340	60	55	46	5	4	740	1040	950	1400	0.44	1.4	0.76	67	20.60
7538	32238	190	340	97	92	75	5	4	1100	1980	950	1300	0.44	1.4	0.76	81	36.10
7338	30338	190	400	86	78	65	6	5	1010	1340	850	1200	0.36	1.7	0.92	76.1	46.00
27338	31338	190	400	103	90	62	5	4	1180	1169	810	1000	0.83	0.72	0.4	126	53.30
7638	32338	190	400	140	132	109	6	5	1660	2580	850	1200	0.37	1.6	0.88	102.7	78.90
T4DB 200		200	270	37	34	27	3	3	325	580	1000	1500	0.48	1.25	0.7	53	5.50

Tapered roller bearings—single row



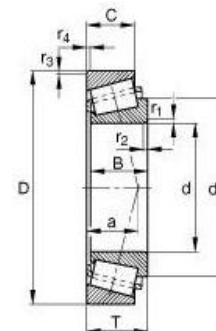
Bearing Designations		Principal Dimensions(mm)							Basic load rating (KN)		Speed rating (rpm)		Calculation Coefficient				Weight (kg)
Old spec	Designations	d	D	T	B	C	R	r	Dynamic (Cr)	Static (Cor)	Grease	Oil	e	Y	Y ₀	α	
2007940	32940	200	280	51	51	39	3	2.5	455	935	1000	1500	0.39	1.53	0.84	54	9.56
	32940X2A	200	280	51.5	48	41	3	2.5	380	742	1000	1500	0.39	1.53	0.84	54	8.86
	32040	200	310	70	70	53	3	2.5	748	1370	950	1400	0.43	1.4	0.8	66	19.50
2007140	32040X2A	200	310	70.5	66	52	3	2.5	549	1092	950	1400	0.39	1.53	0.84	65	18.20
7240	30240	200	360	64	58	48	5	4	780	1100	900	1300	0.44	1.4	0.76	70	25.40
7540	32240	200	360	104	98	82	5	4	1350	2144	900	1300	0.41	1.5	0.81	84	42.60
7340	30340	200	420	89	80	67	6	5	1030	1390	850	1200	0.37	1.6	0.88	81.4	52.30
	30340 D	200	420	89	80	56	6	5	965	1330	750	1000	0.81	0.74	0.41	122.8	49.60
7640	32340	200	420	146	138	115	5	5	1820	2850	800	1100	0.37	1.6	0.88	107	90.50
	30642N1-WTL	210	285	41	40	33	4	3	360	710	1000	1500	0.32	1.9	1.04	52	7.28
	T2DC 220	220	285	41	40	33	4	3	385	800	950	1500	0.31	1.9	1.1	45	6.50
2007944	32944X2A	220	300	51.5	48	51	3	2.5	390	835	900	1400	0.39	1.53	0.84	66	10.10
2007144	32044	220	340	76	76	57	4	3	897	1660	900	1300	0.43	1.4	0.8	72	25.50
	32044X2A	220	340	76.5	72	62	4	3	754	1447	950	1400	0.35	1.73	0.95	67	23.30
7244	30244	220	400	72	65	54	5	4	975	1370	900	1300	0.42	1.4	0.79	77	36.80
	30244A/YA6	220	400	73	65	54	3.7	3.7	855	1180	900	1300	0.37	1.6	0.88	71	37.60
7544	32244	220	400	114	108	90	5	4	1650	2770	900	1300	0.44	1.4	0.76	96	62.70
7344	30344	220	460	97	88	73	6	5	1430	1990	750	1000	0.36	1.7	0.92	85.3	72.40
7644	32344	220	460	154	145	122	6	5	2130	3310	710	900	0.37	1.62	0.89	112	114.00
	T4EB 240	240	320	42	39	30	3	3	420	800	850	1200	0.46	1.3	0.7	60	8.50

Tapered roller bearings—single row



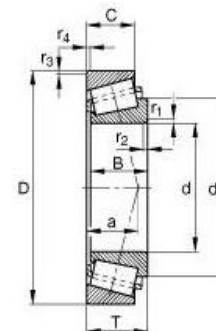
Bearing Designations		Principal Dimensions(mm)							Basic load rating (KN)		Speed rating (rpm)		Calculation Coefficient				Weight (kg)
Old spec	Designations	d	D	T	B	C	R	r	Dynamic (Cr)	Static (Cor)	Grease	Oil	e	Y	Y ₀	α	
2007948	32948	240	320	51	51	39	3	2.5	500	1050	850	1200	0.46	1.3	0.7	64	11.50
	32948X2A	240	320	51	48	41	3	2.5	390	790	900	1300	0.32	1.88	1.04	52	10.8
2007148	32048	240	360	76	76	57	4	3	845	1410	850	1200	0.31	1.9	1.05	63	24.9
	32048X2A	240	360	76.5	72	62	4	3	770	1400	850	1200	0.31	1.9	1.05	65	23.80
7248	30248	240	440	79	72	60	5	4	1070	1550	750	1000	0.44	1.4	0.74	85	46.80
7548	32248	240	440	127	120	100	5	4	1900	3300	700	950	0.43	1.4	0.8	105	82.50
7348	30348	240	500	105	95	80	6	5	1660	2340	670	950	0.36	1.7	0.92	92.8	92.60
7648	32348	240	500	165	155	132	6	5	2520	4100	670	900	0.37	1.6	0.88	123.2	145.00
	306/254	254	422.27	86.1	79.8	66.7	4.7	2.5	1110	1760	850	1200	0.36	1.7	0.9	80	45.40
	30651	255	560	123.05	104.8	70	6	6	1920	2690	560	750	0.87	0.7	0.38	171	127.00
2007952	32952	260	360	63.5	63.5	48	3	2.5	650	1270	800	1000	0.41	1.48	0.81	72	17.90
	32952X2A	260	360	64.5	60	52	3	2.5	595	1250	800	1100	0.3	2.03	1.09	60	19.20
2007152	32052	260	400	87	87	65	5	4	1170	2200	800	1000	0.43	1.4	0.8	84	40.00
	32052X2A	260	400	87.7	82	71	5	4	1050	1960	800	1100	0.3	2.03	1.11	71	37.80
7252	30252	260	480	89	80	67	6	5	1430	2150	670	900	0.44	1.4	0.74	94	63.90
7552	32252	260	480	137	130	105	6	5	2160	3650	670	900	0.43	1.4	0.77	113	105.00
	32252X2/HC	260	480	141	133.5	102.5	6	5	2280	3750	670	900	0.43	1.4	0.77	111	101.00
	30352X2	260	540	109	102	80	6	6	2050	2950	670	900	0.35	1.7	0.9	93	108.00
7352	30352	260	540	113	102	85	6	6	2015	2730	670	900	0.32	1.9	1.04	92	108.00
7652	32352	260	540	176	165	136	6	6	2910	4800	630	850	0.37	1.6	0.88	130.5	188.00

Tapered roller bearings—single row



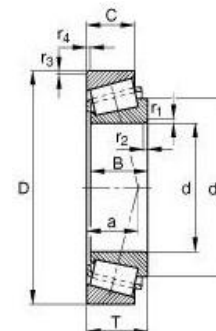
Bearing Designations		Principal Dimensions(mm)							Basic load rating (KN)		Speed rating (rpm)		Calculation Coefficient				Weight (kg)
Old spec	Designations	d	D	T	B	C	R	r	Dynamic (Cr)	Static (Cor)	Grease	Oil	e	Y	Y ₀	α	
2007956	32956	280	380	63.5	63.5	48	3	2.5	720	1500	800	1100	0.43	1.4	0.77	100	20.0
	32956X2A	280	380	64.5	60	52	3	2.5	600	1250	800	1100	0.32	1.9	1.03	64	21.30
2007156	32056	280	420	87	87	65	5	4	1210	2360	750	1000	0.46	1.3	0.7	89	40.50
	32056X2A	280	420	87.7	82	71	5	4	1000	1840	750	1000	0.37	1.6	0.89	83	39.60
7256	30256	280	500	89	80	67	6	5	1240	1900	630	850	0.44	1.4	0.74	98.5	66.30
7556	32256	280	500	137	130	106	6	5	1950	3450	630	850	0.47	1.3	0.7	123	109.00
7656	32356	280	580	187	175	145	6	6	3300	5400	560	800	0.37	1.6	0.89	139.6	224.00
	306/285	285	370	40	40	28	3	2.5	360	720	730	930	0.4	1.49	0.82	61	10.10
2007960	32960	300	420	76	76	57	4	3	896	1820	630	850	0.4	1.5	0.8	79	32.0
	32960X2A	300	420	74.5	72	62	4	3	710	1810	700	950	0.28	2.1	1.17	67	30.20
2007160	32060	300	460	100	100	74	5	4	1440	2700	670	900	0.43	1.4	0.76	97	56.60
	32060X2A	300	460	100.7	95	77	5	4	1310	2400	700	950	0.36	1.7	0.9	89	57.00
7260	30260	300	540	96	85	71	6	5	1600	2500	630	760	0.44	1.36	0.75	106	84.70
7560	32260	300	540	149	140	115	6	5	2610	4450	670	900	0.43	1.39	0.77	126	138.00
2007964	32964	320	440	76	76	57	4	3	1000	2300	650	900	0.43	1.4	0.8	84	34.50
	32064X2	320	480	95	95	70	5	4	1480	2860	630	850	0.46	1.3	0.72	104	57.70
2007164	32064	320	480	100	100	74	5	3	1540	2940	630	850	0.46	1.3	0.72	104	62.70
7264	30264	320	580	104	92	75	6	5	1640	2420	530	750	0.44	1.4	0.74	113.7	99.30
7564	32264	320	580	159	150	125	6	5	2860	5050	530	750	0.46	1.3	0.72	141.6	175.00

Tapered roller bearings—single row



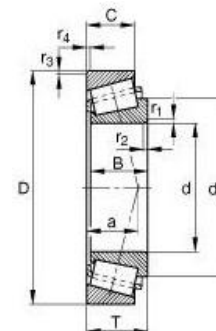
Bearing Designations		Principal Dimensions(mm)							Basic load rating (KN)		Speed rating (rpm)		Calculation Coefficient				Weight (kg)
Old spec	Designations	d	D	T	B	C	R	r	Dynamic (Cr)	Static (Cor)	Grease	Oil	e	Y	Y ₀	α	
	30664	320	620	141	125	107	7.5	7.5	2780	4600	520	680	0.6	1	0.6	154	183.00
7664	32364	320	670	210	200	170	7.5	7.5	4200	7100	480	670	0.37	1.6	0.88	157.5	343.00
2007968	32968	340	460	76	76	57	4	3	1000	2350	500	830	0.44	1.35	0.8	90	36.50
2007968	32968	340	460	76	76	63	4	3	910	1940	500	830	0.41	1.5	0.8	89.2	33.60
7168	31068X2	340	520	86	82	64	5	4	1200	2050	500	630	0.29	2.09	1.15	78	73.90
2007168	32068	340	520	112	106	92	6	5	1650	3400	560	750	0.37	1.6	0.89	104.4	83.70
2007972	32972	360	480	76	76	57	4	3	970	2220	500	630	0.46	1.3	0.72	96.8	36.10
2007972	32972	360	480	76	72	62	4	3	945	2100	500	630	0.4	1.5	0.82	91.4	35.80
7872	30672	360	530	80	66	59	5	5	1030	1900	500	630	0.4	1.5	0.82	95	53.20
	31072X2	360	540	86	82	63.5	5	4	1270	2200	480	600	0.37	1.61	0.89	97	73.10
2007172	32072	360	540	112	106	92	6	5	1680	3500	530	750	0.38	1.6	0.86	108.5	86.50
	30672-1	360	650	155	150	110	7.5	7.5	2900	5650	400	500	0.6	1.01	0.55	169	219.00
20071976	32976	380	520	87	82	71	5	4	1190	2670	560	750	0.39	1.6	0.86	95	50.00
	31176X2	380	620	112	106	92	5	5	2170	3800	400	500	0.46	1.3	0.72	126	123.00
7880	30680	400	500	60	57	47	4	3	460	950	400	500	0.38	1.6	0.86	77	25.10
1007980	31980X2	400	540	70	70	53	5	4	1040	2320	350	450	0.42	1.5	0.9	100	44.00
2007980	32980	400	540	87	82	71	5	4	1280	2880	380	480	0.4	1.4	0.8	185	54.10
2007180	32080	400	600	125	118	100	6	5	1960	4050	480	670	0.36	1.7	0.92	115.3	116.00
	30680-1	400	750	130	115	77	6	6	2660	4180	320	430	0.7	0.86	0.47	189	222.00

Tapered roller bearings—single row



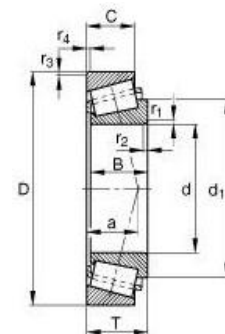
Bearing Designations		Principal Dimensions(mm)							Basic load rating (KN)		Speed rating (rpm)		Calculation Coefficient				Weight (kg)
Old spec	Designations	d	D	T	B	C	R	r	Dynamic (Cr)	Static (Cor)	Grease	Oil	e	Y	Y ₀	α	
1007984	31984	420	560	70	65	51	4	4	1020	2090	420	560	0.41	1.5	0.81	106	41.70
2007984	32984X2	420	560	87	82	72	5	4	1300	2890	320	430	0.41	1.5	0.81	106.1	54.80
7184	31084X2	420	620	95	90	67	5	5	1560	2940	380	480	0.41	1.5	0.8	111	88.30
2007184	32084	420	620	125	118	100	6	5	2000	4200	450	630	0.37	1.6	0.88	120	121.00
	31184X2	420	700	130	122	92	6	6	2700	4990	350	440	0.32	1.88	1.04	116	175.00
	32988X3	440	620	95	90	67	5	5	1400	2900	360	460	0.41	1.46	0.8	114	81.30
2007188	32088	440	650	130	122	104	6	6	2230	4600	430	600	0.36	1.7	0.92	126.3	136.00
	32088X2	440	650	130	126	104	6	6	2620	5650	350	450	0.36	1.67	0.92	125	141.00
7892	30692	460	600	87	82	71	5	4	1340	3150	360	460	0.47	1.28	0.7	123	59.50
1007992	31992X3	460	600	87	85	63.5	4	4	1300	3010	360	460	0.4	1.49	0.82	108	59.40
	31992X2	460	620	80	74	58	4	4	1260	2570	350	450	0.4	1.49	0.82	108	62.30
	31092X2	460	680	105	100	78	6	6	1990	3700	330	440					117.00
7894	30694	470	630	80	80	62	5	5	1410	3100	350	450	0.32	1.88	1.04	94	66.0
	T2GB 500	500	720	110	100	82	6	6	2090	4100	360	450	0.32	1.9	1.02	113	128.00
10078/530	318/530X3	530	670	100	95	82	6	6	1590	4500	340	450	0.44	1.35	0.74	134	81.60
10079/530	319/530X2	530	710	88	82	62	5	5	1560	3150	340	450	0.39	1.5	0.84	118	81.50

Tapered roller bearings—single row



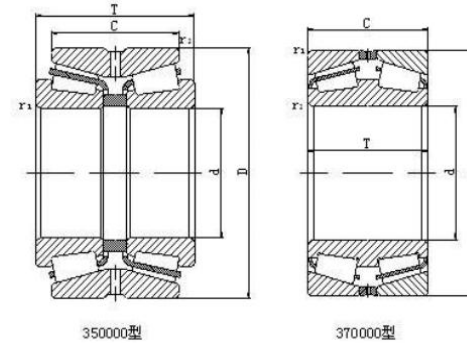
Bearing Designations		Principal Dimensions(mm)							Basic load rating (KN)		Speed rating (rpm)		Calculation Coefficient				Weight (kg)
Old spec	Designations	d	D	T	B	C	R	r	Dynamic (Cr)	Static (Cor)	Grease	Oil	e	Y	Y ₀	α	
78/600	306/600	600	720	73	69	56	3	3	1230	3320	340	450	0.37	1.64	0.9	113	53.0
	310/600X2	600	870	124	118	89	6	6	3150	6650	340	450	0.41	1.45	0.8	155	231.0
	306/610	610	820	105	95	80	6	6	1830	4200	350	460	0.37	1.6	0.88	139	139.0
20079/630	329/630	630	850	132	132	95	6	6	3080	7150	360	450	0.46	1.3	0.72	168	200.0
	T3GB 630	630	920	135	128	94	7.5	7.5	3520	7450	320	430	0.43	1.4	0.78	166	289.00
	306/630	630	920	134	128	94	7.5	7.5	3410	7100	320	430	0.43	1.4	0.78	166	286.00
10079/710	319/710	710	950	114	106	80	6	6	2860	6900	260	360	0.46	1.3	0.72	175	210.00
	319/710X2	710	950	130	122	95	6	6	3400	7800	260	360	0.43	1.41	0.78	177	238.00
10079/710.5	319/710.5	710.5	950	130	122	95	6	6	3400	7800	260	360	0.43	1.41	0.78	177	238.00
10079/711	319/711	711	950	114	106	80	6	6	2800	6900	260	360	0.43	1.41	0.78	175	209.00
	306/760	760	890	78	75	59	4.7	4.7	1241	3519	130	170	0.32	1.9	1.04	71	78.30
	306/830YB2	830	1080	156	156	118	6	6	4600	12000	230	430	0.44	1.36	0.75	209	360.00
	306/830	830	1100	156	152	118	6	6	4600	12000	230	430	0.44	1.36	0.75	208	398.00
	306/831YB2	831	1080	156	156	118	6	6	4600	12000	230	430	0.44	1.36	0.75	209	359.00
	306/831	831	1100	156	152	118	6	6	4600	12000	230	430	0.44	1.36	0.75	209	397.00

Tapered roller bearings——single row



Bearing Designations		Principal Dimensions(mm)							Basic load rating (KN)		Speed rating (rpm)		Calculation Coefficient				Weight (kg)
Old spec	Designations	d	D	T	B	C	R	r	Dynamic (Cr)	Static (Cor)	Grease	Oil	e	Y	Y _o	α	
10078/850	318/850 X2	850	1030	90	88	64	6	6	2200	5900	200	300	0.44	1.4	0.75	176	140.0
	T3GB 900	900	1180	122	122	87	6	6	3850	9000	180	260	0.4	1.5	0.82	193	325.0
10079/900	319/900X2	900	1180	124	122	87	6	6	3500	9000	170	230	0.41	1.49	0.82	194	327.0
78/900	306/900	900	1280	190	170	135	7.5	7.5	6430	14600	95	130	0.44	1.4	0.74	242	246.00
10079/950	319/950X2	950	1250	140	132	100	7.5	7.5	4400	10500	160	220	0.33	1.82	1	183	416.00
78/1000	306/1000	1000	1420	210	195	150	7.5	7.5	8100	18000	160	230	0.46	1.3	0.72	278	966.00

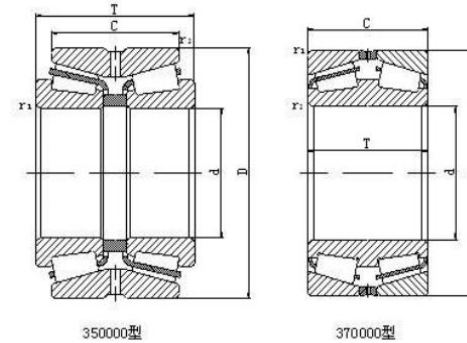
Tapered roller bearings—double row



Dalian Goldbull Bearing Co.,Ltd

Bearing Designations		Principal Dimensions (mm)							Basic load rating (KN)		Speed rating (rpm)		Calculation coefficient				Weight (kg)
Old spec	Designations	d	D	T	B	C	R	r	Dynamic (Cr)	Static (Cor)	Grease	Oil	e	Y ₁	Y ₂	Y ₀	
	350623	115	230	116	49.5	84	3	2.5	685	1100	1300	1700	0.72	0.94	1.4	0.9	20.20
2097124	352024	120	180	88	38	70	2.5	0.6	405	785	1500	2000	0.46	1.47	2.19	1.44	7.31
97524	352224	120	215	132	58	109	3	1	770	1390	1400	1900	0.41	1.64	2.44	1.6	19.20
	352224X2	120	215	132	58	106	3	1	770	1390	1400	1900	0.41	1.64	2.44	1.6	19.10
	352224X2-1	120	215	97	41	78	3	1	525	935	1400	1900	0.42	1.61	2.39	1.57	14.10
	250624-1	120	280	185	83.5	155	5	1.5	1410	2250	1100	1500	0.39	1.74	2.59	1.7	54.40
20097926	352926X2	130	180	70	30	56	2	0.5	280	565	1400	1900	0.27	2.49	3.71	2.43	4.87
2097126	352026X2	130	200	95	42	75	2.5	0.7	485	870	1300	1700	0.35	1.94	2.88	1.89	9.72
	352126X2-1	130	210	80	35	64	2.5	0.6	455	810	1200	1600	0.39	1.55	2.59	1.7	9.81
2097726	352126X2	130	214	115.6	48	98	2.3	0.7	605	1070	1300	1700	0.32	2.13	3.17	2.08	15.70
97526	352226	130	230	145	64	117.5	4	1	890	1760	1300	1700	0.44	1.55	2.31	1.52	24.00
	352226X2	130	230	149	64	120	4	0.8	980	1760	1300	1700	0.44	1.55	2.31	1.52	27.40
	350626D1	130	235	145	72.5	115	2.3	1.3	885	1560	1300	1700	0.39	1.74	2.59	1.7	24.70
2097128	352028	140	210	104	45	82	2.5	0.6	580	1170	1200	1700	0.35	1.94	2.88	1.89	11.90
	352028X2	140	210	95	42	75	2.5	0.6	500	950	1200	1700	0.35	1.94	2.88	1.89	8.36
	350628DR	140	225	100	45	80	2.3	0.7	440	900	1200	1700	0.37	1.8	2.69	1.76	13.00
2097728	352128	140	225	115	50	90	2.5	1	640	1180	1200	1700	0.34	2	2.98	1.96	15.50
97528	352228X3	140	240	132	57	106	4	1.5	825	1660	1200	1700	0.44	1.54	2.29	1.5	24.70
	352228X2	140	250	157	68	128	4	1	1140	2080	1200	1600	0.44	1.55	2.31	1.52	31.00
	351328	140	300	168	70	108	5	1.1	1280	1970	1000	1200	0.83	0.82	1.22	0.8	51.20

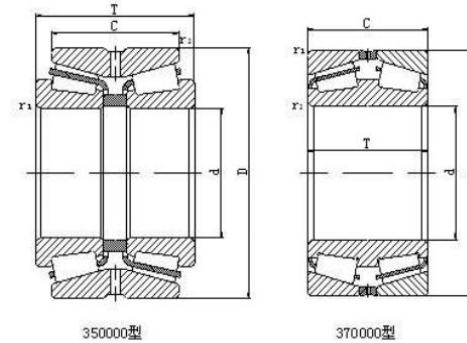
Tapered roller bearings—double row



Dalian Goldbull Bearing Co.,Ltd

Bearing Designations		Principal Dimensions (mm)							Basic load rating (KN)		Speed rating (rpm)		Calculation coefficient				Weight (kg)
Old spec	Designations	d	D	T	B	C	R	r	Dynamic (Cr)	Static (Cor)	Grease	Oil	e	Y ₁	Y ₂	Y ₀	
2097930	352930X2	150	210	80	36	62	2.5	0.7	385	795	1200	1500	0.27	2.48	3.69	2.42	9.32
	352930X3	150	225	79	36	62	2.5	0.7	385	795	1200	1500	0.27	2.48	3.69	2.42	11.80
	350630	150	225	112	45	88	3	1	1100	1690	1200	1500	0.39	1.73	2.58	1.69	14.10
2097730	352130	150	250	138	60	112	2.5	1	865	1560	1100	1500	0.25	2.74	4.08	2.68	25.80
	352130x2	150	250	80	34	71	3	1	510	860	1200	1500	0.4	1.7	2.53	1.66	15.00
	350630D1	150	255	145	72.5	110	3	1.3	960	1840	1100	1500	0.44	1.55	2.31	1.52	28.30
	350630-1	150	270	109	45	87	4	1	710	678	1100	1500	0.44	1.55	2.31	1.52	24.50
	352230X2	150	270	169	73	138	4	1	1270	2330	1100	1500	0.44	1.55	2.31	1.52	39.40
97530	352230	150	270	164	73	130	4	1	1300	2350	1100	1500	0.44	1.55	2.31	1.52	38.80
	352230X2-1	150	270	172	74.5	138	4	1	1330	2460	1100	1500	0.44	1.55	2.31	1.52	39.80
20977/159	3521/159X2	159	270	150	70	120	2.5	1	960	1720	1100	1500	0.36	1.86	2.76	1.81	28.40
	3506/159.8	159.8	270	140	65	120	2.5	1	970	1930	1000	1400	0.32	2.12	3.15	2.07	31.80
2097932	352932X2	160	220	82	36	65	2.5	0.7	415	860	1100	1500	0.27	2.51	3.74	2.45	8.15
2097132	352032X2	160	240	115	48	90	3	0.9	745	1330	1100	1400	0.35	1.94	2.88	1.89	16.50
	352032X2-1	160	240	114	51	84	3	0.6	715	1450	1100	1500	0.46	1.47	2.19	1.44	16.70
	350632D1	160	270	140	70	110	2.5	0.9	1720	2610	1000	1400	0.36	1.86	2.76	1.81	26.70
2097732	352132X2	160	270	150	70	120	2.5	1	965	1720	1000	1400	0.36	1.86	2.76	1.81	28.30
97532	352232	160	290	178	80	144	4	1	1580	2970	920	1200	0.44	1.55	2.31	1.52	49.10
	352232X2-YA6	160	290	180	80	140	3	1.1	1320	2420	920	1200	0.4	1.7	2.53	1.66	46.20

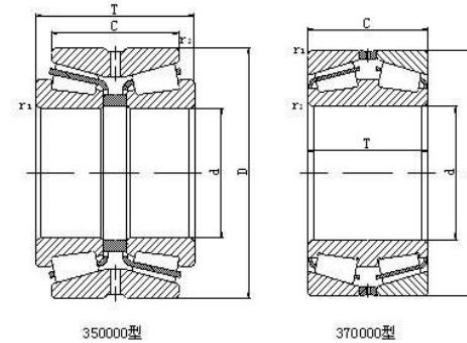
Tapered roller bearings—double row



Dalian Goldbull Bearing Co.,Ltd

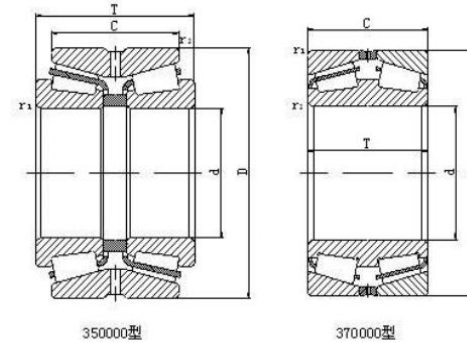
Bearing Designations		Principal Dimensions (mm)							Basic load rating (KN)		Speed rating (rpm)		Calculation coefficient				Weight (kg)
Old spec	Designations	d	D	T	B	C	R	r	Dynamic (Cr)	Static (Cor)	Grease	Oil	e	Y ₁	Y ₂	Y ₀	
	350633/HC	165	290	150	70	125	3	1.3	1210	2300	920	1200	0.31	2.2	3.27	2.15	41.10
2097934	352934X2	170	230	82	36	65	2.5	0.7	420	890	1000	1400	0.28	2.39	3.56	2.34	8.11
	370634	170	230	65	65	27	0.7	2	450	945	1000	1400	0.29	2.36	3.51	2.31	6.79
2097134	352034X2	170	260	120	54	95	3	0.9	755	1550	1000	1300	0.31	2.18	3.24	2.13	20.40
2097734	352134	170	280	150	66	120	2.5	1	1070	2000	950	1300	0.38	1.78	2.65	1.74	35.60
	352134-1	170	280	150	66	130	2.5	1	1080	2130	950	1300	0.33	2.02	3	1.97	36.30
2097936	352936X2	180	250	95	42	74	2.5	0.7	460	1060	1000	1300	0.37	1.84	2.74	1.8	13.30
	352936X2BD1	180	250	95	47.5	74	2.5	0.7	520	1300	1000	1300	0.48	1.41	2.09	1.37	13.80
	350636D1-1	180	259.5	70	35	70	2.5	1	440	850	1000	1300	0.72	0.94	1.4	0.92	11.30
	352936X3	180	270	109.538	47	84.138	2.5	0.6	770	1560	940	1300	0.37	1.8	2.69	1.76	19.20
2097136	352036	180	280	142	64	110	3	1	1070	2220	940	1300	0.42	1.61	2.39	1.57	29.80
	352036X2	180	280	134	60	108	3	0.9	940	1810	940	1300	0.28	2.43	3.61	2.37	27.90
	352036X2-1	180	280	130.25	60	108	3	0.9	940	1810	940	1300	0.28	2.43	3.61	2.37	27.00
	350636D1	180	285	108	54	79.4	2.5	2.3	730	1190	940	1300	0.35	1.95	2.9	1.91	23.20
2097736	352136	180	300	164	72	134	3	1	1200	2350	890	1200	0.26	2.46	3.93	2.58	39.90
	352136X2/YA6	180	300	120	53.5	96	4	1.5	915	1680	900	1200	0.35	1.95	2.9	1.91	32.40
	352236X2/YA6	180	320	190	86	145	3.7	1.3	1530	2750	890	1200	0.36	1.85	2.76	1.81	52.40
	352236/YA6	180	320	192	86	152	5	1.1	1530	2750	890	1200	0.36	1.85	2.76	1.81	60.00
	370636	180	330	190	190	76	1.5	5	1800	3700	820	1040	0.58	1.16	1.72	1.13	71.60

Tapered roller bearings—double row



Bearing Designations		Principal Dimensions (mm)							Basic load rating (KN)		Speed rating (rpm)		Calculation coefficient				Weight (kg)
Old spec	Designations	d	D	T	B	C	R	r	Dynamic (Cr)	Static (Cor)	Grease	Oil	e	Y ₁	Y ₂	Y ₀	
	350636	180	340	180	83	140	5	2	1620	3100	840	1100	0.35	1.96	2.91	1.91	71.90
2097938	352938X2	190	260	95	42	75	2.5	0.7	605	1450	940	1300	0.38	1.76	2.62	1.72	13.30
	372038X2A	190	290	100	100	39	2.5	2.5	815	1670	850	1200	0.4	1.68	2.5	1.64	23.80
2097138	352038X2	190	290	134	60	104	3	0.9	930	1860	890	1200	0.37	1.83	2.72	1.79	28.80
2097738	352138X2	190	320	170	76	130	3	1	1320	2400	840	1100	0.31	2.15	3.2	2.1	52.00
	352138X2-1/HC	190	320	172	77	134	3	1	1520	2700	840	1100	0.31	2.15	3.2	2.1	53.20
	352238/YAD	190	340	204	92	160	5	1.5	1830	3790	800	1000	0.44	1.53	2.28	1.5	75.00
2097940	352940	200	280	116	51	92	3	1	750	1770	900	1200	0.39	1.72	2.56	1.68	21
	352940X2	200	280	110	48	85	3	0.9	670	1530	900	1200	0.39	1.72	2.56	1.68	18.10
	352940X2-1	200	280	116	51.5	85	3	1	670	1530	900	1200	0.39	1.72	2.56	1.68	18.90
	352940X2-2	200	280	117	55	97	3	0.6	670	1530	900	1200	0.39	1.72	2.56	1.68	20.70
	352940X2-3	200	280	110	48.5	85	3	1	670	1530	900	1200	0.39	1.72	2.56	1.68	18.20
2097140	352040	200	310	154	70	120	3	1	1260	2620	840	1100	0.43	1.57	2.34	1.53	41.90
	352040X2	200	310	151	66	120	3	1	995	2080	840	1100	0.39	1.72	2.56	1.68	38.30
	352040X2-1	200	310	151	66	118	3	1	995	2080	840	1100	0.39	1.72	2.56	1.68	38.90
	352040X2-2	200	310	151	66	123	3	1	995	2080	840	1100	0.39	1.72	2.56	1.68	38.60
	352940X3/YA10	200	320	110	48.5	85	3	1	890	1560	820	1100	0.42	1.6	2.38	1.57	30.30
	350640	200	340	112	50.5	100	3	1	1070	1850	800	1100	0.25	2.7	4.02	2.64	40.00
2097740	352140	200	340	184	82	150	3	1	1810	3400	800	1100	0.25	2.74	4.08	2.68	63.80
	352240	200	360	218	98	174	5	1.1	2350	4350	800	1100	0.41	1.66	2.47	1.62	93.30

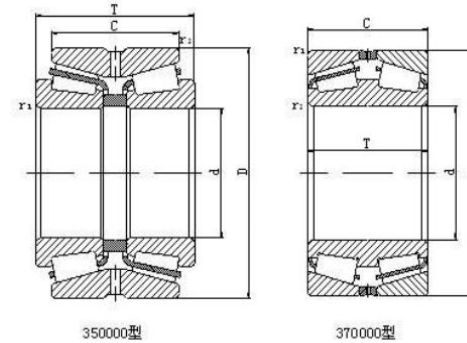
Tapered roller bearings—double row



Dalian Goldbull Bearing Co.,Ltd

Bearing Designations		Principal Dimensions (mm)							Basic load rating (KN)		Speed rating (rpm)		Calculation coefficient				Weight (kg)
Old spec	Designations	d	D	T	B	C	R	r	Dynamic (Cr)	Static (Cor)	Grease	Oil	e	Y ₁	Y ₂	Y ₀	
	351041X2D1	205	320	150	75	110	3.7	1.3	805	1610	940	1100	0.39	1.72	2.56	1.68	40.20
	370642-FM	210	300	100	100	38	2	3	760	1780	820	1000	0.58	1.17	1.75	1.15	23.20
	370642/HC	210	365	170	170	68	4	4	1865	3600	730	930	0.42	1.61	2.4	1.58	76.10
2097944	352944X2	220	300	110	48	88	3	0.8	705	1720	810	1100	0.31	2.18	3.24	2.13	21.20
	352944X2-1	220	300	109	47.5	88	3	0.9	730	1825	810	1100	0.31	2.18	3.24	2.13	20.80
2097144	352044X2	220	340	164	72	130	4	1.1	1370	2730	760	1000	0.35	1.95	2.9	1.91	40.70
	352044X2D1/YAB	220	340	113	56.5	90	4	1.5	990	1980	750	1000	0.36	1.88	2.79	1.83	34.50
	370644	220	360	120	120	39	3	4	1000	2000	750	1000	0.87	0.78	1.16	0.76	47.50
2097744	352144	220	370	195	88	150	4	1.3	1680	3200	760	1000	0.37	1.83	2.72	1.79	76.30
	350644	220	370	120	50	107	4	1.5	1130	1910	760	1000	0.37	1.83	2.72	1.79	46.90
	350645D1	225	360	146.5	73.25	111	3	1.1	1280	2290	760	1000	0.36	1.87	2.79	1.83	48.20
	3506/228X4	228.6	488.92	345	150	220	5	1.5	3320	5890	710	900	0.87	0.78	1.16	0.76	286
	370646/HG2	230	350	92	92	33	3	4	795	1640	680	870	0.55	1.24	1.84	1.21	31.90
	350646D1	230	355	145	72.5	110	6	2.3	1180	2310	760	1000	0.36	1.87	2.79	1.83	53
2097948	352948X2	240	320	105	48	82	3	0.9	665	1590	760	1000	0.32	2.12	3.15	2.07	22.30
	352948X2-2	240	320	109	48	90	3	1	675	1550	760	1000	0.32	2.12	3.15	2.07	23.50
	352948X2-1	240	320	110	48	87	3	1	665	1590	760	1000	0.32	2.12	3.15	2.07	23.20

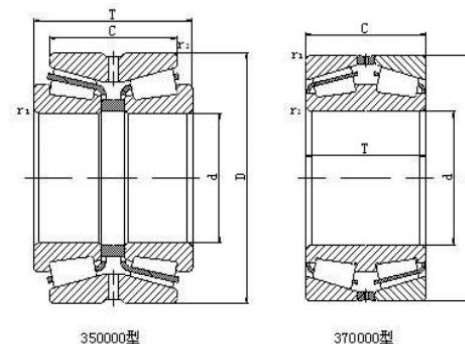
Tapered roller bearings—double row



Dalian Goldbull Bearing Co.,Ltd

Bearing Designations		Principal Dimensions (mm)							Basic load rating (KN)		Speed rating (rpm)		Calculation coefficient				Weight (kg)
									Dynamic (Cr)	Static (Cor)	Grease	Oil	e	Y ₁	Y ₂	Y ₀	
Old spec	Designations	d	D	T	B	C	R	r									
2097148	352048X2	240	360	165	72	130	4	1.1	1460	2890	690	920	0.31	2.15	3.2	2.1	52.80
	350648	240	400	128	59	114	5	1.5	1240	2270	720	1000	0.43	1.55	2.31	1.52	60.00
	350648/HC-1	240	400	160	71	128	5	1.5	1670	3200	720	1000	0.39	1.74	2.59	1.7	81.20
2097748	352148	240	400	210	95	163	3.7	1.3	2060	4050	630	840	0.31	2.18	3.24	2.13	98.10
	352148X2	240	400	210	95	168	4	1	1870	4050	630	840	0.31	2.18	3.24	2.13	98.50
	3706/259.5	259.5	481	250	250	98	2.5	5	3630	7100	580	770	0.45	1.5	2.23	1.47	214
2097952	352952	260	360	141	63.5	110	3	1	1120	2550	670	900	0.41	1.66	2.47	1.62	39
	352952X2	260	360	134	60	108	3	0.9	1010	2500	670	900	0.3	2.23	3.32	2.18	39.70
	352952X2-1	260	360	133	60	109	3	1.1	1010	2500	670	900	0.3	2.23	3.32	2.18	39.80
	352952X2-3	260	360	92	40	62	3	1	630	1370	700	950	0.7	0.96	1.44	0.94	25.50
2097152	352952	260	360	141	63.5	110	3	1	1120	2550	670	900	0.41	1.66	2.47	1.62	39.00
	352052X2	260	400	186	82	146	5	1.3	1750	3750	630	840	0.29	2.31	3.45	2.26	79.30
	352052X2-1	260	400	150	75	110	4.7	1.1	1400	2630	630	840	0.29	2.31	3.45	2.26	60.30
	352052X2-2	260	400	130	57	104	5	1.5	1250	2590	630	840	0.29	2.31	3.45	2.26	53.90
	352052X2-3	260	400	155	72	108	9.5	1.6	1400	2630	630	840	0.35	1.95	2.99	1.91	62.20
	370652	260	420	170	170	70	5	5	1970	4050	630	840	0.48	1.41	2.09	1.37	88.40
	36052D1	260	430	180	90	130	7.5	2.3	1560	2990	630	840	0.35	1.95	2.9	1.91	87.90
2097752	352152X2/YA6	260	440	225	100	180	4	2.3	2410	4750	580	770	0.24	2.84	4.23	2.78	124
	97552	260	480	284	130	220	6	1.5	3800	7600	580	700	0.43	1.57	2.34	1.53	216
2097956	352956X2	280	380	134	60	108	3	0.9	1030	2650	620	820	0.32	2.1	3.13	2.05	44.00

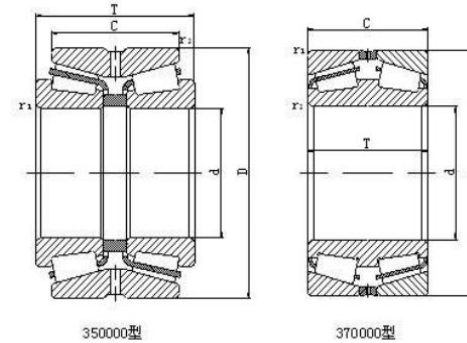
Tapered roller bearings—double row



Dalian Goldbull Bearing Co.,Ltd

Bearing Designations		Principal Dimensions (mm)							Basic load rating (KN)		Speed rating (rpm)		Calculation coefficient				Weight (kg)
													e	Y ₁	Y ₂	Y ₀	
Old spec	Designations	d	D	T	B	C	R	r	Dynamic (Cr)	Static (Cor)	Grease	Oil					
	352956X2/YA10	280	380	141	63.5	110	3	1	1250	3100	620	820	0.43	1.6	2.3	1.6	43.20
	370656	280	389.5	92	92	30	4	4	870	1880	600	800	0.82	0.82	1.22	0.8	33.30
297156	352056X2	280	420	186	82	146	5	1.3	1890	4000	580	770	0.37	1.83	2.72	1.79	81.50
	352056X2-1	280	420	188	83	154	5	1.3	1890	4000	580	770	0.37	1.83	2.72	1.79	82.70
	352056X2-2	280	420	189	83.5	154	5	1.3	1960	4200	580	770	0.37	1.83	2.72	1.79	82.90
1097756	351156	280	460	185	82	140	5	1.5	2130	4050	580	770	0.33	2.05	3.05	2	114.00
	351156X2/YA6	280	460	146	65	130	6	2	1810	3300	580	770	0.4	1.68	2.5	1.64	88.80
	370658	290	450	180	180	65	3	4	2150	4300	560	750	0.87	0.78	1.16	0.76	103.00
	350660	300	400	140	62	100	5	1.5	1450	3000	560	740	0.88	0.77	1.15	0.8	63.20
2097960	352960X2	300	420	160	72	128	4	1.1	1670	3614	580	770	0.28	2.39	3.56	2.34	60.80
	370660 D	300	440	105	105	34	4	4	1020	2300	560	740	0.88	0.77	1.15	0.8	56
2097160	352060X2	300	460	210	95	165	3	1.3	2240	4800	560	740	0.36	1.85	2.76	1.81	118
1097760	351160	300	500	205	90	152	5	1.5	2400	4450	530	710	0.32	2.12	3.15	2.07	141
	370660 /HC	300	560	170	170	50	5	5	3520	3800	500	660	0.81	0.823	1.23	0.81	197
	371160X2	300	500	200	200	70	5	5	2550	5200	390	490	0.7	0.97	1.44	0.94	153
	372960/HCYAD	300	420	152	152	53	3	3	1754	3600	600	800	0.67	1	1.5	1	64.40
	370661 D	305	500	200	200	63.5	4.3	6	3100	4850	530	710	0.88	0.77	1.15	0.8	144.00
	3706/305X4D/HCEYAD	305.034	499.948	200.025	200.025	63.5	3.3	6.4	2630	4850	530	710	0.88	0.77	1.15	0.75	143.0

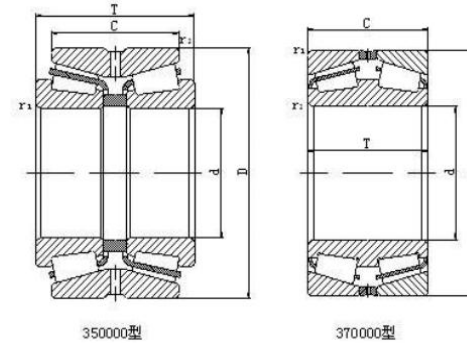
Tapered roller bearings—double row



Dalian Goldbull Bearing Co.,Ltd

Bearing Designations		Principal Dimensions (mm)							Basic load rating (KN)		Speed rating (rpm)		Calculation coefficient				Weight (kg)
									Dynamic (Cr)	Static (Cor)	Grease	Oil	e	Y ₁	Y ₂	Y ₀	
Old spec	Designations	d	D	T	B	C	R	r									
	3706/305X4	305.07	500	200	200	70	6.4	4.8	1870	3550	530	710	0.79	0.854	1.27	0.835	122.0
	3706/305.2 D	305.2	500	200	200	70	6.4	4.8	1870	3550	530	710	0.79	0.854	1.27	0.835	115.0
2097964	352964X2	320	440	160	72	128	4	1	1650	3900	530	710	0.31	2.15	3.21	2.11	67.4
	370664X2	320	620	280	280	115	3	5	5300	10600	400	550	0.43	1.57	2.43	1.53	408.0
	375964X3	320	459.5	140	140	57	3	2	1550	3750	410	520	0.41	1.66	2.47	1.63	79.20
	350664	320	480	151	66.5	121	5	1.5	1870	3550	530	710	0.32	2.08	3.1	2.04	88.90
2097164	352064	320	480	220	100	186	5	1.1	2540	5750	530	710	0.46	1.47	2.19	1.44	134
	352064X2	320	480	210	95	160	5	1.1	2310	5750	530	710	0.46	1.47	2.19	1.44	124
	352064X2-1	320	480	215	100	163	5	1.1	2500	5700	530	710	0.46	1.47	2.19	1.44	129
1097764	351164	320	540	225	100	160	5	1.5	3100	5700	510	660	0.4	1.68	2.5	1.64	181
	370666D/HCEYAB	330	520	180	180	70	3	3	2250	5050	360	460	0.87	0.78	1.16	0.76	142
	370666/HCYA3-1	330	540	186	186	73	5	5	3700	6250	350	450	0.33	2.03	3.02	1.98	174
	370666/HCYAB	330	540	176	176	62	5	5	2450	5100	430	570	0.87	0.77	1.15	0.8	173
2097968	352968	340	460	166	75	128	4	1.1	1540	4050	500	660	0.31	2.15	3.2	2.1	72.30
	352968X2	340	460	160	72	128	4	1.1	1540	4050	500	660	0.31	2.15	3.2	2.1	71
97168	351068	340	520	180	82	135	5	1.5	2060	4100	480	640	0.29	2.35	3.5	2.3	127
	351068X2D1/HC	340	520	165	82.5	133	6	2	2550	4600	480	640	0.39	1.73	2.58	1.69	117
1097768	351168	340	580	242	106	170	5	1.5	3100	6000	460	620	0.42	1.6	2.38	1.56	235
	351168X2	340	580	238	107	190	6	2	3350	6600	370	500	0.4	1.68	2.5	1.64	237

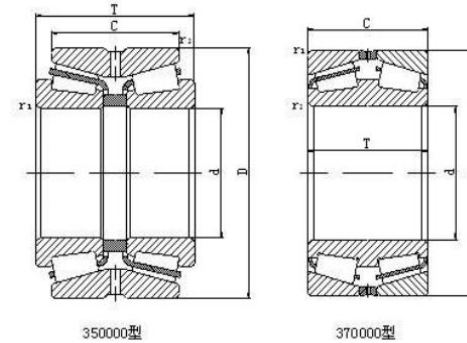
Tapered roller bearings—double row



Dalian Goldbull Bearing Co.,Ltd

Bearing Designations		Principal Dimensions (mm)							Basic load rating (KN)		Speed rating (rpm)		Calculation coefficient				Weight (kg)
Old spec	Designations	d	D	T	B	C	R	r	Dynamic (Cr)	Static (Cor)	Grease	Oil	e	Y ₁	Y ₂	Y ₀	
2097972	352972X2	360	480	160	72	128	4	1	1640	2240	510	680	0.33	2.05	3.05	2	74.70
97172	351072	360	540	185	82	140	5	1.5	2880	6300	460	620	0.37	1.82	2.7	1.78	137
	351072X2	360	540	169	70	134	6	2	2180	4400	460	620	0.37	1.82	2.7	1.78	120
1097772	351172	360	600	242	106	170	5	1.5	3410	6800	400	520	0.44	0.54	2.3	1.51	221
1097976	351976	380	520	145	65	105	4	1.1	1660	3800	530	710	0.38	1.77	2.64	1.73	78.80
	351976X2	380	520	149	65	112	4	1.1	1660	3800	530	710	0.38	1.77	2.64	1.73	82.40
	371976	380	520	145	145	56	4	4	2050	4950	340	440	0.38	1.77	2.64	1.73	89.20
97176	351076	380	560	190	82	140	5	1.5	2880	6300	410	540	0.39	1.75	2.61	1.71	137
	371076X3	380	570	180	180	65	2	4	2600	5850	410	540	0.87	0.78	1.16	0.76	162
	371076X3D	380	570	180	180	70	2	4	2600	5850	410	540	0.87	0.78	1.16	0.76	165
1097776	351176	380	620	242	106	170	5	1.5	3410	6850	410	540	0.46	1.47	2.18	1.43	250
	3706/385	385	530	180	180	65	2	4	2220	5700	330	420	0.38	1.77	2.64	1.73	116
	370678	390	570	200	200	69	5	5	2800	7000	380	500	0.83	0.81	1.2	0.8	166
	370678/HC-1	390	568	200	200	63	3	5	2280	5420	380	500	0.83	0.81	1.21	0.79	153
	370678/HCYA3	390	567.5	180	180	70	3	5	2610	6520	380	500	0.73	0.92	1.37	0.9	157
1097980	351980	400	540	150	65	105	4	1.1	1650	3850	530	710	0.45	1.5	2.23	1.47	84.60
	351980X2	400	540	145	65	100	4	1.1	1650	3850	530	710	0.45	1.5	2.23	1.47	82.50
97180	351080	400	600	206	90	150	5	1.5	2890	6300	410	540	0.38	1.78	2.65	1.74	84.50

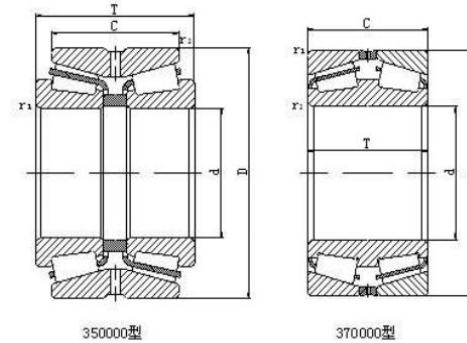
Tapered roller bearings—double row



Dalian Goldbull Bearing Co.,Ltd

Bearing Designations		Principal Dimensions (mm)							Basic load rating (KN)		Speed rating (rpm)		Calculation coefficient				Weight (kg)
													e	Y ₁	Y ₂	Y ₀	
Old spec	Designations	d	D	T	B	C	R	r	Dynamic (Cr)	Static (Cor)	Grease	Oil	e	Y ₁	Y ₂	Y ₀	Weight (kg)
	351080X2	400	600	230	100	178	5	1.5	3350	7600	410	540	0.37	1.82	2.72	1.78	203
	351080X2-1	400	600	185	80	148	6	2	2700	5850	410	540	0.37	1.82	2.72	1.78	168
1097780	351180	400	650	255	112	180	6	2.5	3630	7400	360	480	0.41	1.66	2.47	1.63	279
	370680D	400	650	240	240	80	6	6	3400	8400	360	480	0.87	0.78	1.16	0.76	299
	371080X2	400	600	189	190	63	5	4	2680	5500	410	540	0.38	1.78	2.65	1.74	174
	3706/406.4	406.4	762	330	330	116.5	3.3	6.4	6000	13100	330	450	0.75	0.9	1.34	0.88	659
	370682	410	580	160	160	55	7	4	2060	5080	360	480	0.87	0.78	1.16	0.76	133
1097984	351984	420	560	145	65	105	4	1.1	1880	4450	360	480	0.38	1.77	2.64	1.73	87
97184	351084	420	620	206	90	150	5	1.5	2670	5880	360	480	0.41	1.64	2.44	1.6	191
	351084X2-1/HC	420	620	188	86	150	6	2	2840	6210	360	480	0.39	1.74	2.59	1.7	178
	35108X2D1	420	620	190	95	125	5	1	2620	5300	360	480	0.41	1.63	2.43	1.6	166
	351084J	420	700	275	122	200	6	2.5	4430	9150	360	480	0.32	2.12	3.15	2.07	376
	370684	420	740	330	330	135	3	6	6500	16000	350	450	0.32	2.12	3.15	2.07	642
	373187	420	700	224	224	86	6	5	4540	9480	360	480	0.32	2.12	3.15	2.07	382
	3706/431X4	431.902	685.698	254	254	106	3.3	6.4	4500	10700	280	380	0.33	2	3	2	358
	3706/431X4/HC	431.902	685.698	235.873	253.873	106	3.5	8	5010	11000	280	380	0.33	2.03	3.02	1.98	358
1097988	351988	440	600	170	74	125	4	1.1	2300	5300	400	520	0.39	1.73	2.58	1.69	123
97188	351088	440	650	212	94	152	6	2.5	3150	6900	360	480	0.44	1.52	2.26	1.49	212

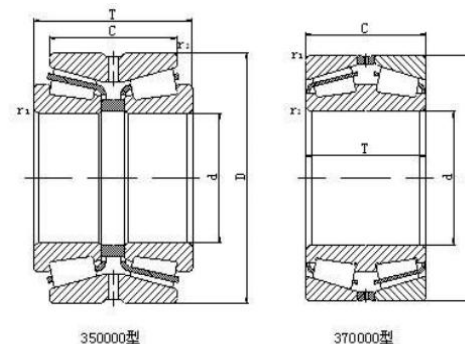
Tapered roller bearings—double row



Dalian Goldbull Bearing Co.,Ltd

Bearing Designations		Principal Dimensions (mm)							Basic load rating (KN)		Speed rating (rpm)		Calculation coefficient				Weight (kg)
													e	Y ₁	Y ₂	Y ₀	
Old spec	Designations	d	D	T	B	C	R	r	Dynamic (Cr)	Static (Cor)	Grease	Oil	e	Y ₁	Y ₂	Y ₀	Weight (kg)
1097788	351188	440	720	275	122	190	6	2.5	4950	10400	360	480	0.46	1.48	2.2	1.44	404
	370688/HC	440	820	360	360	135	4	7.5	6100	11000	320	420	0.58	1.17	1.75	1.15	892
1097992	351992	460	620	174	74	130	4	1	1960	5150	400	520	0.4	1.69	2.51	1.65	134
97192	351092	460	680	230	100	175	6	2.5	3410	7450	360	480	0.31	2.18	3.24	2.13	253
	351092X2/HCYA6	460	680	204	94	163	3	3	3400	7650	360	480	0.4	1.68	2.5	1.64	236
	350692	460	760	300	135	240	7.5	4	5150	11900	350	440	0.45	1.5	2.23	1.47	516
	370692	460	860	420	380	162	6	5	10600	20600	300	400	0.68	0.99	1.48	0.97	1130
	371092	460	680	230	230	85	4	4	3910	9400	360	480	0.61	1.11	1.66	1.09	293
1097996	351996	480	650	180	78	130	5	1.5	2150	5150	360	480	0.42	1.61	2.4	1.58	159
97196	351096	480	700	240	100	180	6	2.5	2150	5150	360	480	0.41	1.66	2.47	1.62	272
	351096X2-1/HC	480	700	206	93	165	6	2.5	3100	6700	250	320	0.37	1.83	2.72	1.78	232
	351096X2/HC	480	700	275	122	200	6	3	4150	9500	250	320	0.36	1.87	2.79	1.83	309
	351096X3/HC-TS	480	720	236	100	180	6	2.5	4200	8300	250	320	0.32	2.11	3.14	2.06	303
1097796	351196	480	790	310	136	224	7.5	3	6200	13300	250	320	0.39	1.73	2.58	1.69	540
	370696	480	950	480	450	180	4	7.5	11900	25100	250	320	0.73	0.92	1.38	0.9	1640
	37096X2	480	950	440	440	160	9.5	9.5	11700	22100	250	320	0.58	1.16	1.73	1.15	1467
	3706/482.6/HC	482.6	733.425	199.263	200	65	3.3	4	4050	7400	250	320	0.78	0.86	1.29	0.84	285
10979/500	3519/500	500	670	180	78	130	5	1.5	1470	6200	350	460	0.43	1.55	2.31	1.52	158
971/500	3510/500	500	720	236	100	180	8	2.5	3580	8150	410	540	0.32	2.08	3.1	2.04	276

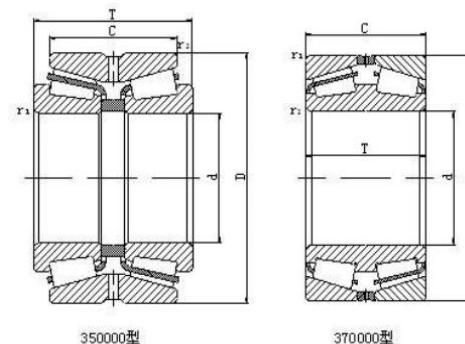
Tapered roller bearings—double row



Dalian Goldbull Bearing Co.,Ltd

Bearing Designations		Principal Dimensions (mm)							Basic load rating (KN)		Speed rating (rpm)		Calculation coefficient				Weight (kg)
									Dynamic (Cr)	Static (Cor)	Grease	Oil	e	Y ₁	Y ₂	Y ₀	
Old spec	Designations	d	D	T	B	C	R	r									
	3510/500D	500	720	236	118	180	6	2.5	3750	8500	410	540	0.32	2.08	3.1	2.04	274
	3510/500X2	500	720	209	94	167	6	3	3250	7700	410	540	0.37	1.83	2.72	1.78	256
	3706/500-1	500	720	218	185	80	6	6	3000	7400	220	280	0.7	0.97	1.44	0.94	288
	3706/500/HC	501.65	711.2	250.825	250.825	106.363	3.2	6.4	4950	13400	220	280	0.35	1.92	2.86	1.88	323
	3706/509X4D/HCYAT	509.948	733.425	200.025	200.025	68	3.3	4.8	3850	8400	330	430	0.87	0.78	1.16	0.76	265
	3706/510D/HCYAB	510	733.5	200	200	68	3.3	3.3	3830	8320	330	430	0.87	0.78	1.16	0.76	265
	3706/510X4D/HCYA3	510.13	800	285	285	100	5	10	4950	12500	330	430	0.89	0.76	1.34	0.75	532
	332171	510.13	800	285	285	100	5	8	5440	12500	330	430	0.89	0.763	1.14	0.746	532
	3719/530	530	710	190	190	65	5	5	2660	7650	320	430	0.73	0.92	1.37	0.9	212
10979/530	3519/530	530	710	190	82	136	5	1.5	2670	6300	320	420	0.39	1.73	2.57	1.69	176
	3706/530	530	730	250	250	104	6	6	5060	13400	320	420	0.34	2	2.97	1.95	323
971/530	3510/530	530	780	255	112	180	6	2.5	4350	9850	320	420	0.34	2	2.97	1.95	371
	3510/500X2/HCYA6	530	780	231	106.5	185	3	3	4650	10700	320	420	0.37	1.82	2.71	1.78	356
	3706/540/HC	540	860	256	256	92	7.5	7.5	5400	12400	320	420	0.7	0.97	1.44	0.94	581
	3506/539X4/HC	539.75	635	120.65	50.8	95.25	6.4	1.5	1190	4000	360	460	0.41	1.64	2.45	1.6	62.20
	3506/560HC	560	735	225	100	180	6.4	1.5	3500	9700	330	420	0.35	1.95	2.9	1.9	235

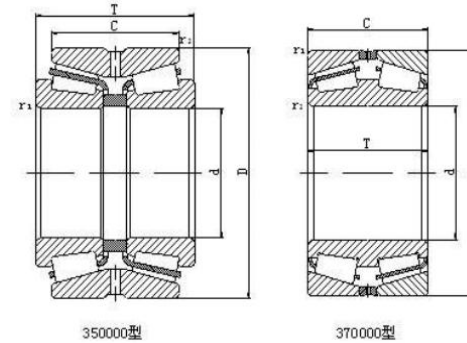
Tapered roller bearings—double row



Dalian Goldbull Bearing Co.,Ltd

Bearing Designations		Principal Dimensions (mm)							Basic load rating (KN)		Speed rating (rpm)		Calculation coefficient				Weight (kg)
Old spec	Designations	d	D	T	B	C	R	r	Dynamic (Cr)	Static (Cor)	Grease	Oil	e	Y ₁	Y ₂	Y ₀	
10979/560	3519/560	560	750	213	85	156	5	1.5	3410	8500	310	410	0.43	1.57	2.34	1.53	232
971/560	3510/560	560	820	260	115	185	6	2.5	2920	5700	310	410	0.4	1.7	2.54	1.67	434
	3510/560X2/YA6	560	820	340	155	270	8	2.5	6200	17200	310	410	0.32	2.14	3.18	2.09	741
	3706/560/HC	560	1000	450	450	190	9.5	6	15200	30300	160	210	0.42	1.59	2.37	1.55	1620
	3706/570/HC	570	750	240	240	100	6	6	3850	11800	310	410	0.5	1.36	2.02	1.33	287
	3706/580/HCEC9YB2	580	830	280	280	115	3	6	6250	16400	290	380	0.31	2.2	3.3	2.2	546
	3719/600X2	600	800	190	190	68	5	4	3470	9200	290	390	0.61	1.11	1.66	1.09	270
10979/600	3519/600	600	800	205	90	156	5	1.5	3410	9050	290	390	0.33	2.05	3.05	2	247
	3519/600/YAD	600	800	208	90	160	6	2.5	3400	9050	290	390	0.33	2.05	3.05	2	252
	3710/600	600	870	270	270	98	6	6	5670	14300	280	380	0.61	1.11	1.66	1.09	726
971/600	3510/600	600	870	270	118	198	6	2.5	5390	12700	280	380	0.41	1.63	2.43	1.6	517
	3510/6000X2/HC	600	870	250	110	200	3	3	5250	12400	280	380	0.39	1.73	2.57	1.69	454
	3706/600.5/HCYA6	600.5	819	172	172	66	2	2	3920	8900	280	380	0.61	1.11	1.66	1.09	265
	3706/620/HC	620	1030	370	370	148	15	10	12600	23600	300	390	0.32	2.12	3.15	2.07	1265
	3510/630X2/HC	630	920	265	114.5	212	7.5	4	7000	14000	270	350	0.36	1.87	2.79	1.83	570
	3706/630	630	1030	400	400	143	3.3	6.4	10100	23400	300	390	0.75	0.9	1.34	0.88	1330

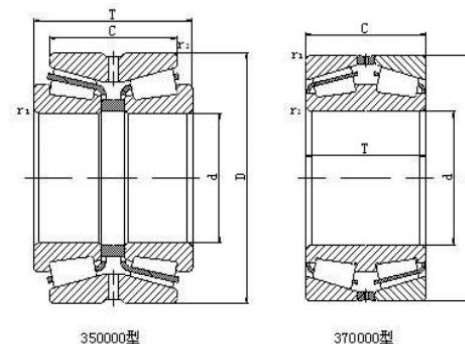
Tapered roller bearings—double row



Dalian Goldbull Bearing Co.,Ltd

Bearing Designations		Principal Dimensions (mm)							Basic load rating (KN)		Speed rating (rpm)		Calculation coefficient				Weight (kg)
													e	Y ₁	Y ₂	Y ₀	
Old spec	Designations	d	D	T	B	C	R	r	Dynamic (Cr)	Static (Cor)	Grease	Oil					
	3706/635/HC	635	939.8	304.8	304.8	110	3.3	6.4	5800	17000	280	380	0.88	0.77	1.14	0.75	762
10979/670	3519/670	670	900	240	103	180	6	2.5	4200	11200	260	350	0.44	1.53	2.28	1.5	378
	3706/670/HCC9YA3	670	980	230	230	78	7.5	9.5	6000	13000	250	340	0.7	0.97	1.44	0.94	576
971/670	3510/670	670	980	310	136	215	7.5	3	6300	15100	260	330	0.37	1.83	2.73	1.79	714
	3706/685.8D/HCYAB	685.8	939.8	227.81	234.8	80	3.3	6.4	4550	12200	220	310	0.87	0.78	1.16	0.76	444
	3706/685.8D/HCYADT	685.8	939.8	228.6	234.95	82.55	6.4	6.4	4550	12200	220	310	0.87	0.78	1.16	0.76	447
	3706/690/HCC9YB2	690	980	355	355	152	6.5	6.5	9380	25900	210	280	0.35	1.95	2.9	1.91	880
	3706/710/HCC9	710	900	197	197	79	3	6	4750	13700	250	320	0.35	1.9	2.9	1.8	314.00
10979/710	3519/710	710	950	240	106	175	6	2.5	4730	13200	250	320	0.46	1.47	2.19	1.44	445
	3506/720	720	915	190	83	140	6	2.5	3000	10000	260	330	0.38	1.75	2.61	1.72	284
	3706/724/HC	724	915	187	187	70	5	5	3450	11600	250	320	0.38	1.77	2.64	1.73	293
10979/750	3519/750	750	1000	264	112	194	6	2.5	5340	15600	230	310	0.45	1.5	2.24	1.47	546
	3519/750X2	750	1000	255	112	190	6	2.5	5390	15100	230	310	0.45	1.5	2.24	1.47	535
10979/800	3519/800	800	1060	270	115	204	6	2.5	6870	15200	220	300	0.35	1.93	2.87	1.88	606
	3706/800D	800	1100	300	300	112	1.5	6	6980	20700	210	270	0.79	0.85	1.25	0.8	853

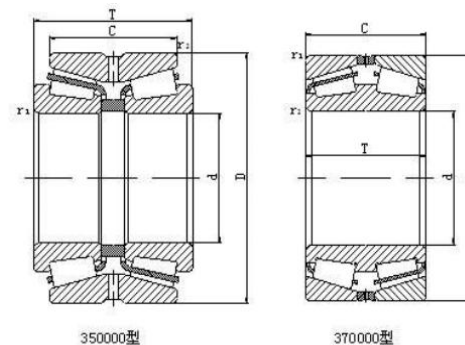
Tapered roller bearings—double row



Dalian Goldbull Bearing Co.,Ltd

Bearing Designations		Principal Dimensions (mm)							Basic load rating (KN)		Speed rating (rpm)		Calculation coefficient				Weight (kg)
Old spec	Designations	d	D	T	B	C	R	r	Dynamic (Cr)	Static (Cor)	Grease	Oil	e	Y ₁	Y ₂	Y ₀	
10979/850	3519/850	850	1120	268	118	188	6	2.5	6850	18700	210	270	0.46	1.46	2.18	1.43	645
	3519/850X2	850	1120	268	118	190	6	2.5	6250	18700	210	270	0.46	1.46	2.18	1.43	647
	3519/850X2/HCYA6	850	1220	272	116	239	7.5	4	7600	17700	200	260	0.37	1.83	2.72	1.79	1000
10979/900	3510/900	900	1180	275	122	205	7.5	3	7640	21300	200	260	0.37	1.8	2.69	1.76	763
	3706/900/HCYA6	900	1220	300	300	108	3.3	12.7	9100	23000	200	250	0.81	0.83	1.23	0.81	997
10979/950	3519/950	950	1250	300	132	220	7.5	3	7870	22500	180	240	0.33	2.05	3.05	2	897
	3506/950	950	1280	280	120	246	7.5	4	8300	22200	170	220	0.4	1.68	2.5	1.64	974
	3506/1092X4/HC	1092.2	1320.8	200	87.5	145	6.4	3.5	5050	16900	170	220	0.57	1.18	1.76	1.16	514
10979/1120	3519/1120	1120	1460	335	158	250	7.5	3	9900	29500	160	210	0.35	1.93	2.87	1.88	1350
	3506/1180	1180	1600	390	170	250	7.5	4	10500	33700	150	190	0.7	0.97	1.44	0.94	2100
	3506/1250/YA1	1250	1500	250	112	190	6	1.5	7150	24200	100	140	0.35	1.9	2.9	1.8	795
	3506/1370	1370	1605	210	96	150	7.5	4	5150	20700	60	75	0.4	1.68	2.5	1.64	673
	3506/1450/HC	1450	1770	290	115	170	9.5	5	7780	25800	80	120	0.87	0.78	1.16	0.76	1317

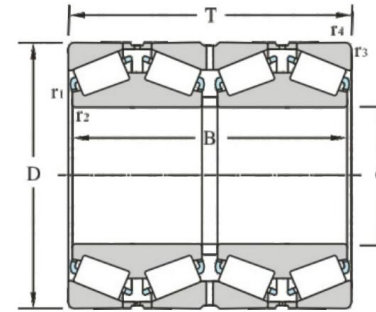
Tapered roller bearings——double row



Dalian Goldbull Bearing Co.,Ltd

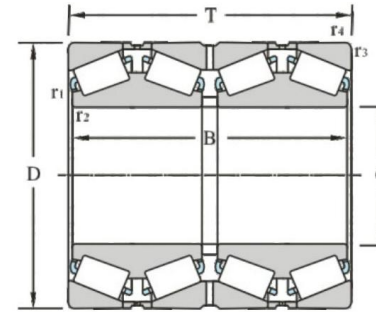
Bearing Designations		Principal Dimensions (mm)							Basic load rating (KN)		Speed rating (rpm)		Calculation coefficient				Weight (kg)
Old spec	Designations	d	D	T	B	C	R	r	Dynamic (Cr)	Static (Cor)	Grease	Oil	e	Y ₁	Y ₂	Y ₀	
	3506/1600	1600	1850	200	90	150	6	6	5610	20700	50	65	0.32	2.12	3.15	2.08	800.0

Tapered roller bearings—four row



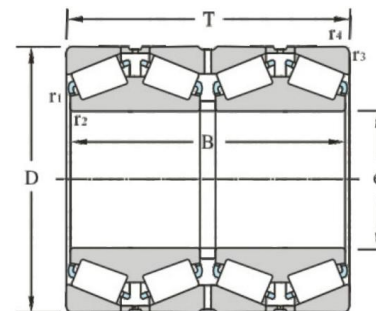
Bearing Designations		Principal Dimensions (mm)						Basic load rating (KN)		Weight (kg)
Old spec	Designations	d	D	T	B	R	r	Dynamic (Cr)	Static (Cor)	
2077124	382022X4	110.2	170	176	176	2.5	2	670	1460	14.6
	380624X4	120.65	166.88	152.413	152.413	0.8	3.3	590	1650	9.92
	3806/139.7	139.7	200.025	157.162	160.338	1.1	1.8	695	1870	16.2
2077930	382930X2	150	210	165	165	0.7	2.3	660	1590	21.2
2077130	382030X2	150	225	136	136	3	2.5	595	1460	17.7
2077132	382032X4	160.2	240	210	210	3	2.5	1230	2920	32.9
	380634/HC	170	230	175	175	3	2.5	920	2630	20.6
2077134	382034X2	170	260	230	230	3	2.5	1030	3100	43
	3806/177X4/HCYAD	177.8	273.05	234.95	234.947	1.5	3.3	1830	3750	49.7
2077936	382936/HCYAD	180	250	185	185	7.4	2.5	980	2550	26.5
	382936X3	180	260	200	200	2.2	2	1110	2700	33.2
	380636	180	280	180	180	3	2.5	920	2540	39.6
	382938X2-1/HC	190	260	200	200	2.5	2	1040	2780	29.6
2077938	382938X2/HC	190	260	190	190	2.5	0.7	1200	2690	27.3
	380640/HC/W283	200	280	206	206	1.5	3	1600	3410	38.90

Tapered roller bearings—four row



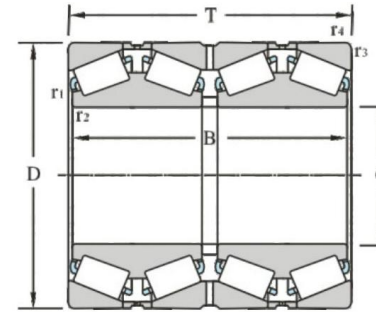
Bearing Designations		Principal Dimensions (mm)						Basic load rating (KN)		Weight (kg)
Old spec	Designations	d	D	T	B	R	r	Dynamic (Cr)	Static (Cor)	
2077140	382040	200	310	275	275	3	2.5	1350	4200	75.10
	382040X2-1	200	310	200	200	3	2.5	2170	3580	55.60
	382140X2/YB2	200	360	210	210	4	4	1810	3290	90.20
	380641	205	320	205	205	4	3	1160	2850	55.40
	380644/W283	220	295	315	315	1.5	3	1470	3450	57.20
2077944	382944X2	220	300	230	230	3	2.5	1550	4050	47.90
	380644X2/HC/W283	220	310	220	220	3	2.5	1900	4400	53.10
	380644/HC/W283	220	330	260	260	3	3	2200	5300	77.90
2077144	382044	220	340	305	305	4	3	2800	5950	99.50
	3806/220X4/HC	220.662	314.325	290	290	1.5	3.3	2140	6150	73.20
	328948X2-1/HC/W283	240	320	250	250	1.5	2.5	2100	5350	56.50
	380648/HC	240	338	248	248	4	4	2210	5950	69
	380648-2	240	350	230	230	1.5	2	2050	4700	72.20
2077148	382048X2	240	360	310	310	4	3	3630	6100	90.50
	2077952	260	360	265	265	3	2.5	1730	5050	77.80
	382952X2/HC	260	360	272	272	3	2.5	2200	6500	83.10
	380652-2	260	380	200	200	2	5	1870	4650	76.90
	380652X3/HC	260	380	280	280	4	7.5	2400	6400	108
	380652/HC	260	400	255	255	4	7.5	2050	4800	117

Tapered roller bearings—four row



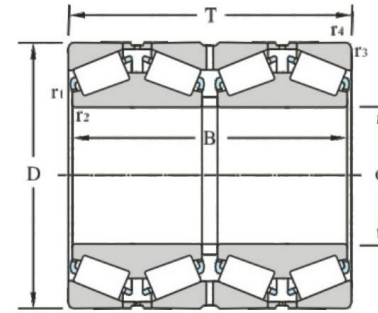
Bearing Designations		Principal Dimensions (mm)						Basic load rating (KN)		Weight (kg)
Old spec	Designations	d	D	T	B	R	r	Dynamic (Cr)	Static (Cor)	
	382052	260	400	345	345	5	4	2850	7700	161
	382152X2/HCYA6	260	440	300	300	2	5	2670	5850	182
2077956	382956X3/YAD	280	395	288	288	4	7	2510	7060	110
	380656	280	420	250	250	5	5	1690	5300	119
	351156	280	460	324	324	5	4	3680	8350	219
2077960	382960	300	420	300	300	4	3	2700	7500	125
	382960X2/HC	300	420	310	310	4	3	2750	8100	134
	382960X3/HC	300	424	310	310	4	3	3300	8500	140
2077160	382060/HC	300	460	390	390	5	4	3850	9440	222
	382060/X2/HCYB2	300	460	360	360	5	4	4450	10200	217
	380660/HC	300	500	350	350	5	4	3900	8800	280
1077760	381160/HC	300	500	370	370	5	4	4000	8900	282
	380662/HC	310	430	310	310	4	4	3050	7900	135
2077164	382064X2/HC	320	480	380	380	5	4	3300	11500	252
	3806/335/HC	335	460	342.9	342.9	3.3	3.3	4000	10500	166
2077968	382968X2/HC	340	460	310	310	4	4	3000	8950	146
77168	381068	340	520	325	325	5	4	3520	8200	247
1077768	381168	340	580	425	425	5	4	3350	8500	468

Tapered roller bearings—four row



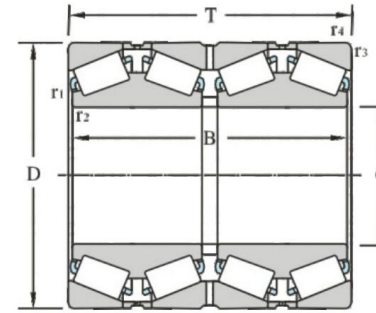
Bearing Designations		Principal Dimensions (mm)						Basic load rating (KN)		Weight (kg)
Old spec	Designations	d	D	T	B	R	r	Dynamic (Cr)	Static (Cor)	
	380671/HC	355	490	316	316	1.5	3.3	4460	10000	175
2077972	382972/HC	360	480	310	310	4	3	2550	9000	155
	382972X2/HCYA3	360	480	375	375	4	4	2870	11800	197
2077772	381172/HCYA6	360	600	420	420	4.7	4.7	3950	13500	423
	380676/HC-2	380	536	390	390	5	5	5000	12900	270
	380676/HC-1	380	550	350	350	5	5	2490	9450	273
77176	381076	380	560	325	325	5	4	3450	10000	263
	380676/HC	380	620	388	388	6	6	4810	11600	443
2077776	381176/HC	380	620	420	420	5	4	5050	12600	485
	380678/HC	390	510	350	350	3.8	5.5	3750	12100	184
	380679/HCYA3	395	545	268	288.9	5	10	2130	6500	194
	380679X2/HC	395	545	268.7	288.7	4	7.5	2130	6500	194
	380680/HC-1	400	540	280	280	3.7	7.5	2690	6500	187
	380680/HC	400	540	400	400	5	5	6350	13300	262
77180	381080/HC	400	600	356	356	5	4	4950	12400	345
	3806/406X4/HCW281	406.4	546.1	288.925	288.925	1.5	6.4	4020	10500	191
	3806/406.4/HCYB2	406.4	562	381	381	3.3	6.4	4620	13900	283

Tapered roller bearings—four row



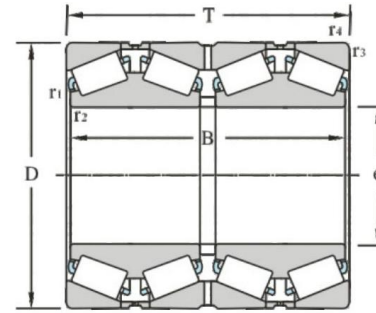
Bearing Designations		Principal Dimensions (mm)						Basic load rating (KN)		Weight (kg)
Old spec	Designations	d	D	T	B	R	r	Dynamic (Cr)	Static (Cor)	
	380684/HC	420	560	437	437	5	5	7900	16300	298
	380684/HC-1	420	592	432	432	5	5	6600	16300	375
77184	381084	420	620	356	356	5	4	4560	11700	369
1077784	381184	420	700	480	480	6	5	9560	11900	755
	380688/HC-1	440	620	454	454	6	6	6650	18800	432
	380688	440	650	355	355	6	5	4900	12000	385
77188	381088/HC	440	650	376	376	6	5	4900	13800	420
	380692/HCYAD	460	590	360	360	6	3	5100	14400	241
1077992	381992/HC	460	620	310	310	5	4	3650	10000	260
	381992X3	460	610	360	360	6	3	6100	16400	291
	380692/HC-1	460	650	474	474	6	6	4500	20000	506
1077792	381192X3/HC	460	730	440	440	4	7.5	5600	14800	663
	3806/475/HCYB2	475	600	368	368	6	2	4700	15600	243
	380695/HCYB2	475	620	380	380	6	2	5000	16200	298
	380696/HC	480	678	494	494	6	6	9130	23800	571
77196	381096	480	700	420	420	6	5	4730	16900	582
	3806/488X4/HC	488.95	622.3	365.125	365.125	6.4	3.8	4600	16200	267

Tapered roller bearings—four row



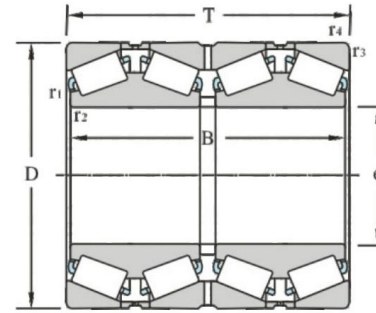
Bearing Designations		Principal Dimensions (mm)						Basic load rating (KN)		Weight (kg)
Old spec	Designations	d	D	T	B	R	r	Dynamic (Cr)	Static (Cor)	
	380698/HC	490	625	385	385	7	4	4900	16500	278
771/500	3810/500/HC	500	720	400	400	5	5	7500	18600	542
	3806/501X4/HC	501.65	673.1	400.05	387.35	3.3	6.4	6450	17100	381
	3806/510/HC	510	655	377	379	1.5	6.4	5500	16200	316
	3806/520/HC	520	740	540	540	5	6	8350	24500	728
	3806/530/HCYAB	530	730	515	535	5	5	10200	27400	666
771/530	3810/530	530	780	450	450	6	5	7200	18200	745
	3806/540J/HC	540	690	400	400	2	2	5700	11400	375
	3806/558X4/HC	558.8	736.6	450	450	5	5	7250	23600	534
10779/560	3819/560/HC	560	750	368	368	5	4	7850	15800	447
10777/560	3811/560	560	920	620	620	7.5	6	20000	32000	1690
	3806/570/HCYAB	570	780	515	515	7.5	6	9200	28100	730
	3806/595X4/HCYAB	595.312	844.55	615.95	615.95	3.3	6.4	13600	36900	1125

Tapered roller bearings—four row



Bearing Designations		Principal Dimensions (mm)						Basic load rating (KN)		Weight (kg)
Old spec	Designations	d	D	T	B	R	r	Dynamic (Cr)	Static (Cor)	
	3806/596.9/HC	596.9	980	604.838	609.6	6.4	12.7	16100	33700	1760
779/600		600	800	365	365	5	5	4000	18100	489
10779/600	3819/600/HC	600	800	380	380	5	4	4400	18100	497
	3806/600/HC	600	800	365	365	5	5	4000	18100	489
771/600	3810/600/HC	600	870	480	480	6	6	8900	27500	990
10777/600	3811/600HC	600	980	650	650	7.5	7.5	9650	37500	1950
	3806/625/HC	625	815	480	480	3.5	6.5	9720	28900	658
10779/630	3819/630/HC	630	850	418	418	6	6	6700	22200	683
	3806/630/HC	630	860	615	615	6.5	6.5	8810	28500	1020
771/630	3810/630/HC	630	920	515	515	7.5	7.5	6550	27500	1190
10777/630	3811/630/HC	630	1030	670	670	7.5	7.5	16500	42000	2200
777/650UY		650	1030	560	560	7.5	12	16020	39300	1712
	3806/650/HC	650	1030	560	560	7.5	12	17600	39300	1720
	3806/660X4/HC	660.011	855.015	319.99	319.99	7.5	7.5	4750	17000	495
10777/670	3819/670/HC	670	900	412	412	6	6	5250	24600	773
	3860/676/HCYA3	676	910	620	620	4	8	11000	37500	1162

Tapered roller bearings—four row



Bearing Designations		Principal Dimensions (mm)						Basic load rating (KN)		Weight (kg)
Old spec	Designations	d	D	T	B	R	r	Dynamic (Cr)	Static (Cor)	
779/710		710	900	410	410	3	6	7850	27400	650
	3806/710/HCYAD	710	900	410	410	3	6	9250	26400	601
	3806/730/HCEYB2-1	730	940	500	500	3.5	8	11000	33000	868
	3806/730/HCYB2	730	1035	755	755	3.3	6.4	20500	58500	2120
	3806/749.3/HC	749.3	990.6	605	605	4	8	13000	45300	1284
	3806/750/HC	750	950	410	410	6	6	9560	27780	703
771/750	3810/750X3/HC	750	1130	690	690	7.5	9.5	1680	49000	2490
10777/750	3811/750	750	1220	840	840	9.5	9.5	17700	68500	3985